

SPECTRAlert®

SP2C Series Ceiling Mount Speaker/Strobes



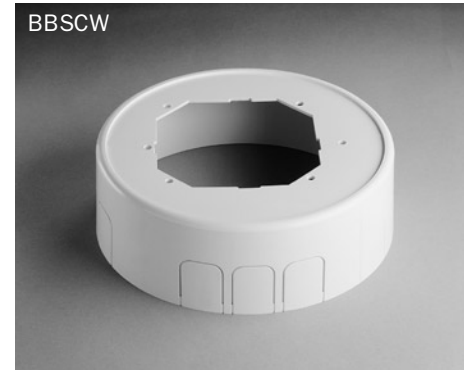
Models Available

Speaker/Strobe Models

- SP2C2415
- SP2C241575
- SP2C2430
- SP2C2475
- SP2C2495
- SP2C24115
- SP2C24177

Accessory Back Box Skirt

BBSCW



Product Overview

Combines SpectrAlert ceiling mount strobe and speaker technology

- Low current draw
- Fidelity sound quality

24 volt models available with 15, 15/75, 30, 75, 95, 115, and 177 candela strobes

25.0 and 70.7 volt speaker with four field-selectable power taps

Ceiling-specific shape, profile, and aesthetics

Strobe is synchronizable with MDL Sync•Circuit™ module

Mounts to 4" x 4" x 2 1/8" back box without an extension ring

Round shape offers greater placement flexibility

Gamewell's SpectrAlert SP2C series ceiling speaker/strobes represent the combination of leading-edge strobe and speaker technology with a design specifically intended for ceiling mount applications.

Technology. SpectrAlert SP2C ceiling speaker/strobes combine the low current draw of the ceiling mount SpectrAlert strobes, with the intelligible, fidelity sound quality of the SpectrAlert SP200 series evacuation speaker.

Flexibility. Like all SpectrAlert products, the SP2C series ceiling speaker/strobes feature the flexibility to meet a wide variety of applications. The 24 volt strobe is available in seven different candelas, including 177 candela for sleeping areas. The speaker offers field-selectable 25.0/70.7 voltage and 1/4, 1/2, 1, and 2 watt power taps.

Aesthetics. The SP2C ceiling speaker/strobes offer a design that is sensitive to the aesthetic demands of ceiling mount applications. The round shape maintains a low profile appearance, similar to that of a smoke detector. Its stylish curves and design further refine the aesthetics over other generic wall/ceiling mount designs. Yet SpectrAlert's round shape provides clearly visible "FIRE" identification from all angles.

Installation. The SP2C ceiling speaker/strobes include several features to simplify installation. By incorporating the SP200 series speaker, the entire unit may be mounted to a 4" x 4" x 2 1/8" back box, without the need for an extension ring. An optional back box skirt is also available for surface-mount applications. And with SpectrAlert's round shape, it is not necessary to align the back box with the room's walls. SpectrAlert always lines up.

Engineering Specifications

Ceiling speaker/strobe shall be a Gamewell Model _____ listed to UL1480 and UL 1971 and be approved for fire protective signaling systems. Speaker shall be capable of operating at 25.0 or 70.7 nominal Vrms, and shall have a frequency range of 400 to 4000 Hz. Speaker shall have power taps which are selected by shunts. The strobe shall comply with the NFPA72 requirements for visible signaling appliances, flashing at 1 Hz over the strobe's entire operating voltage range. The strobe light shall consist of a xenon flash tube and associated lens/reflector system.



ME A
approved

General Specifications

Dimensions
6.8" diameter

Mounting
4"x4"x2 1/8" back box

Indoor Operating Temperature
32° to 120° F (0° to 49°C)

U.S. Patent Nos.
6,049,446 6,057,778 D424,465

Strobe Specifications

Strobe Operating Voltage
24 VDC and FWR unfiltered

Operating Voltage Range
24 V, 16-33 V
Note: 177cd model tested at 20-33 V FWR
and 16-33 VDC

Operating Voltage Range w/Sync•Circuit™ Module
24 V, 17-33 V
Note: 177cd model tested at 21-33 V FWR
and 17-33 VDC

Input Terminals
12 to 18 AWG

Speaker Specifications

Input Voltage
25.0 or 70.7 Vrms (nominal)

Input Terminals
12 to 18 AWG

Sound Output (UL Reverberant dBA @ 10 ft.)*

2 watts	1 watt	1/2 watt	1/4 watt
84	81	78	75

Frequency Range
400-4000 Hz
The SP2C Series is UL listed from 400 to 4000Hz
but will provide an output from 100 to 10,000Hz.

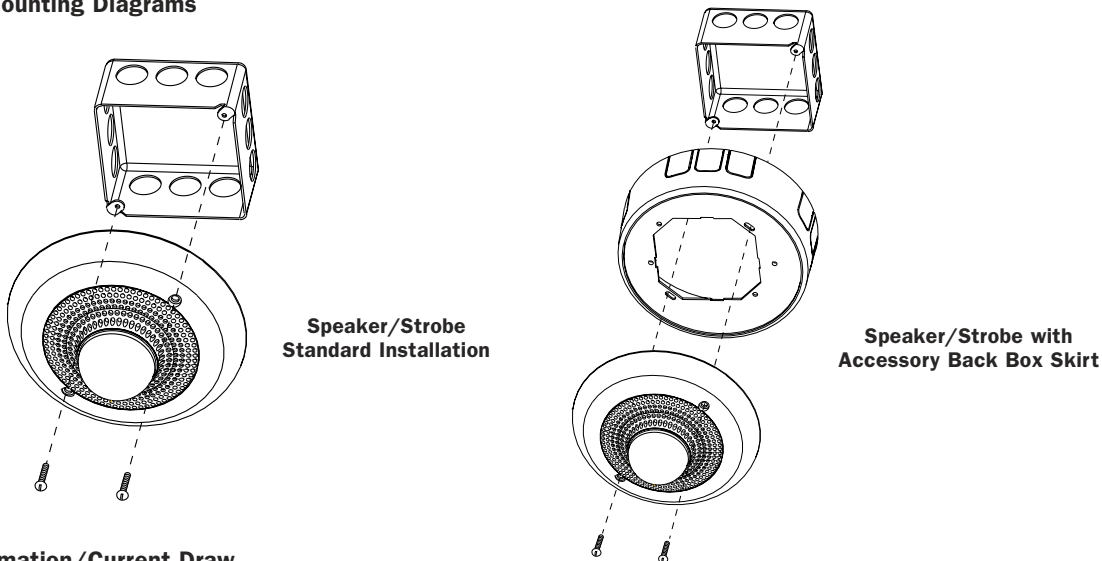
Power Taps
1/2, 1 and 2 watts

Sound Output (UL Anechoic) dBA @ 10 ft.)

2 watts	1 watt	1/2 watt	1/4 watt
87	84	81	78

*Assumes flush mount installation

SpectrAlert Mounting Diagrams



Ordering Information/Current Draw

	Model No. (White)	Candela	Avg. Current (mA) @24 V		Peak Current (mA) @24 V		In Rush Current (mA) @ 24 V	
			DC	FWR	DC	FWR	DC	FWR
Ceiling Speaker/ Strobes	SP2C2415	15	48	55	170	242	133	177
	SP2C241575	15/75	56	62	172	258	134	179
	SP2C2430	30	68	79	226	318	137	179
	SP2C2475	75	127	140	398	462	133	177
	SP2C2495	95	153	173	534	560	132	176
	SP2C24115	115	191	230	612	712	118	175
	SP2C24177	177	291	300	912	1104	126	170
Surface-mount back box skirt	BBSCW	-	-	-	-	-	-	
Sync•Circuit™ Module	MDLW	-	11	15	-	-	-	-



The Gamewell Company
12 Clintonville Road
Northford, CT 06472-1610
Phone: 203-484-7161
Fax: 203-484-7118
www.gamewell.com
A Honeywell Company

Specifications and wiring information are provided for information only and are believed to be accurate. Gamewell assumes no responsibility for their use. Data and design are subject to change without notice. Installation and wiring instructions shipped with the product shall always be used for actual installation. For more information, contact Gamewell.