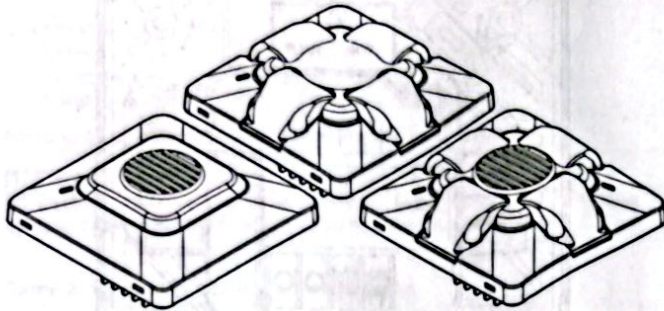




Genesis LED Outdoor Horn-Strobe Installation Sheet



Description

Genesis LED outdoor horns, strobes, and horn-strobes are wall or ceiling mounted fire alarm notification appliances designed for outdoor wet applications. See Table 1 for a list of models.

Table 1: Models

Number	Description
WGARA	Horn, outdoor, red, ALERT
WGARF	Horn, outdoor, red, FIRE
WGARN	Horn, outdoor, red, no marking
WGAWA	Horn, outdoor, white, ALERT
WGAWF	Horn, outdoor, white, FIRE
WGAWN	Horn, outdoor, white, no marking
WGARF-FR	Horn, outdoor, red, FIRE FEU
WGAWF-FR	Horn, outdoor, white, FIRE FEU
WGARF-SP	Horn, outdoor, red, FUEGO
WGAWF-SP	Horn, outdoor, white, FUEGO
WGVRA	Strobe, outdoor, red, ALERT
WGVRF	Strobe, outdoor, red, FIRE
WGVRN	Strobe, outdoor, red, no marking
WGVWF	Strobe, outdoor, white, FIRE
WGVWN	Strobe, outdoor, white, no marking
WGVRF-FR	Strobe, outdoor, red, FIRE FEU
WGVWF-FR	Strobe, outdoor, white, FIRE FEU
WGVRF-SP	Strobe, outdoor, red, FUEGO
WGVWF-SP	Strobe, outdoor, white, FUEGO
WGVWA	Strobe, outdoor, white, ALERT
WGAVRA	Horn-strobe, outdoor, red, ALERT
WGAVRF	Horn-strobe, outdoor, red, FIRE
WGAVRN	Horn-strobe, outdoor, red, no marking
WGAVWA	Horn-strobe, outdoor, white, ALERT
WGAVWF	Horn-strobe, outdoor, white, FIRE
WGAVWN	Horn-strobe, outdoor, white, no marking

Number	Description
WGAVRF-FR	Horn-strobe, outdoor, red, FIRE FEU
WGAVWF-FR	Horn-strobe, outdoor, white, FIRE FEU
WGAVRF-SP	Horn-strobe, outdoor, red, FUEGO
WGAVWF-SP	Horn-strobe, outdoor, white, FUEGO

Configuration

Caution: Equipment damage hazard. Configuration switches are protected by a rubber cover that is attached at the end opposite the arrow. Lift the end indicated by the arrow to access the switch underneath. When you lift the cover, be careful not to detach it from the appliance.

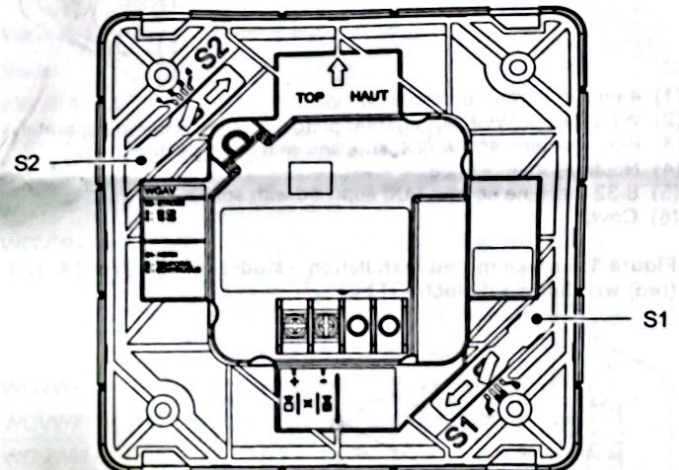
1. On horns and horn-strobes, select the sound output by lifting the cover on S1, and then sliding the switch to the required setting. See Figure 1.

Note: Switch S1 is not available on strobe-only models.

2. On strobes and horn-strobes, select the strobe candela by lifting the cover on S2, and then sliding the switch to the required setting. See Figure 1.

Note: Switch S2 is not available on horn-only models.

Figure 1: Light and sound output settings



S1 switch settings

- A Not used
- B Temporal
- C Continuous
- D Not used

S2 switch settings

- 1 Not used
- 2 Not used
- 3 30 candela
- 4 15 candela

Note: Temporal 3 coding is the required output for fire notification devices per NFPA 72. Any device coding other than temporal 3 is at the discretion and approval of the local authority having jurisdiction (AHJ).

Installation

Install and wire this device in accordance with applicable national and local codes, ordinances, and regulations.

Connect the field wires as shown in Figure 4, and then attach to the wall box as shown in Figure 2 and Figure 3.

When installing the notification appliance on a 4-inch square deep electrical box (Figure 2), remove the trim skirt from the adapter plate by removing the two screws from the back of the adapter ring.

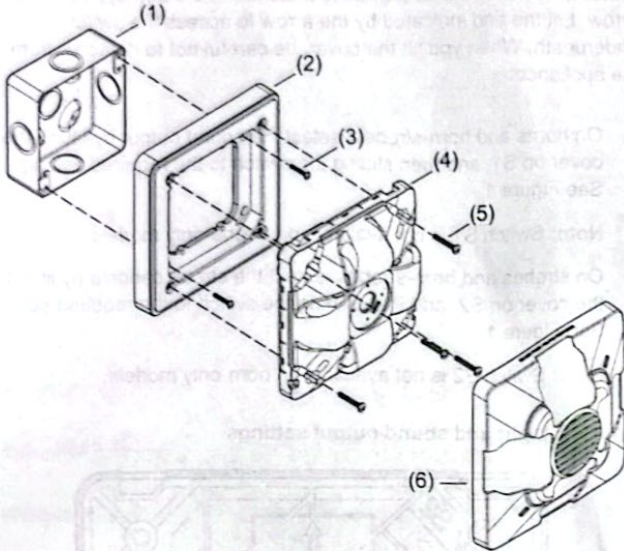


Synchronized operation requires a separately installed synchronization device. See the control unit or power supply compatibility list for compatible synchronization devices.

Notes

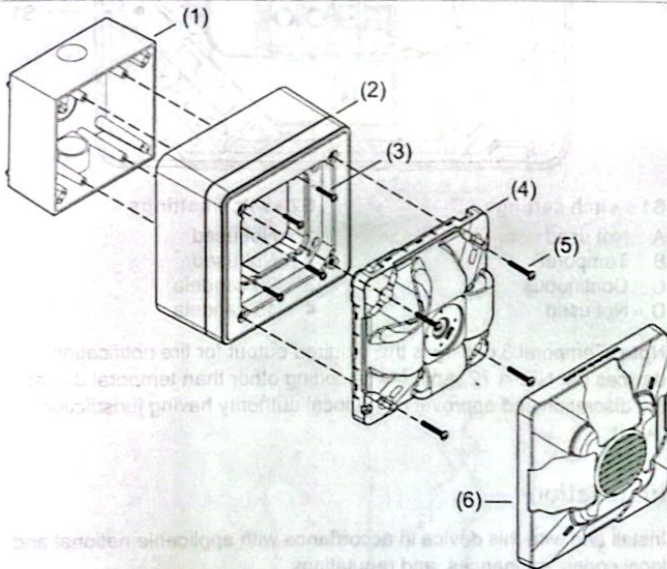
- See "Specifications" below for a list of compatible electrical boxes that meet UL/ULC, IP66, and NEMA 4X requirements.
- To meet IP66 requirements, plumbing tape (Teflon tape) must be applied to all threaded conduit plugs and connectors.

Figure 2: Flush mount installation – 4-inch square deep electrical box



- (1) 4-inch square deep electrical box
- (2) WGWMA or WGRMA adapter plate (required, ordered separately)
- (3) 8-32 machine screw (2X, supplied with electrical box)
- (4) Notification appliance
- (5) 8-32 machine screws (4X, supplied with appliance)
- (6) Cover

Figure 3: Surface mount installation – Model 449 (gray) or 74347U (red) weatherproof electrical box



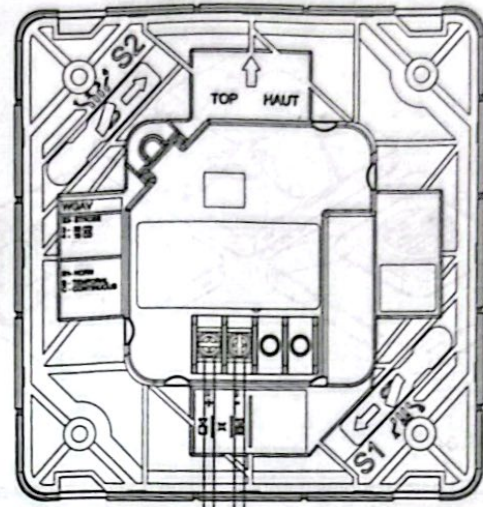
- (1) Model 449 or 74347U weatherproof surface mount electrical box
- (2) WGWMA or WGRMA adapter plate with ring (required, ordered separately)
- (3) 6-32 machine screw (4X, supplied with appliance)
- (4) Notification appliance
- (5) 8-32 machine screws (4X, supplied with appliance)
- (6) Cover

Wiring

Wire as shown in Figure 4.

Caution: Electrical supervision requires that you break the wire run at each terminal. Do not loop the notification circuit field wires around the terminals.

Figure 4: Wiring



- (1) +
- (1)
- (2) +
- (2)

- (1) Horn/strobe circuit in (signal polarity shown in the active condition)
- (2) Horn/strobe circuit out

Maintenance and testing

Caution: Equipment damage hazard. To maintain the required agency listings, do not change factory-applied finishes.

This unit is not serviceable or repairable. Should the unit fail to operate, contact the supplier for replacement.

Perform a visual and operational inspection in accordance with applicable codes and standards or as directed by the local authority having jurisdiction.

Specifications

Operating voltage	16 to 33 VDC
Operating current	See Table 2 to Table 4
Horn signal type	Continuous or T3 temporal
Sound output	See Table 5
Sound pattern	See Table 6 and Table 7
Light output	15, 30 cd
Strobe flash rate	1 fps (flash per second) approx.
Light distribution	See Figure 5
Synchronization	20 Ω max. between any two devices. To determine allowed wire resistance, refer to these specifications, and the specifications for the synchronized signal source.
Wire size	12 to 18 AWG (0.75 to 2.50 mm ²)
Screw torque	
Mounting screws	15 lbf-in (1.8 N-m) max.
Terminal screws	12 lbf-in (1.4 N-m) max.

Dimensions	See Figure 6
Compatible electrical boxes [1]	
Surface mount [2]	UL/ULC, IP66, NEMA 4X Model 449 (gray) or 74347U (red) electrical box with GWWMA or WGRMA adapter plate with ring
Flush mount [2]	UL/ULC, IP66, NEMA 4X Deep 4-inch square electrical box with GWWMA or WGRMA adapter plate
Compatible adapter rings	GWWMA, WGRMA
Replacement covers	See Table 8, Table 9, and Table 10
Operating environment	
Class	Outdoor wet
Temperature	-40 to 150.8°F (-40 to 66°C)
Relative humidity	0 to 95% noncondensing
Storage temperature	-40 to 158°F (-40 to 70°C)

[1] Electrical boxes must be at least 2 in. (5.08 cm) deep.
 [2] To meet IP66 requirements, plumbing tape (Teflon tape) must be applied to all threaded conduit plugs and connectors.

Table 2: Operating current (horn models)

Sound setting	16 to 33 VDC
Continuous/Temporal	20 mA

Table 3: Operating current (strobe models)

Strobe setting	16 to 33 VDC
15,30	35 mA

Table 4: Operating current (horn-strobe models)

Strobe setting	Sound setting	16 to 33 VDC
15, 30	Continuous/Temporal	50 mA

Table 5: Sound output (horn and horn-strobe models)

Sound setting	Reverberant (UL 464)	Anechoic (CAN/ULC-S525)
Continuous/Temporal	86 dBA	88 dBA

Table 6: Sound pattern (horn models)

Axis	Angle	Change in output
Horizontal	± 46°	-3 dBA
	± 78°	-6 dBA
	± 90°	-8.5 dBA
Vertical	± 46°	-3 dBA
	± 78°	-6 dBA
	± 90°	-8.3 dBA

Table 7: Sound pattern (horn-strobe models)

Axis	Angle	Change in output
Horizontal	± 58°	-3 dBA
	± 84°	-6 dBA
	± 90°	-7.1 dBA
Vertical	± 48°	-3 dBA
	± 79°	-6 dBA
	± 90°	-8.1 dBA

Table 8: Horn replacement covers

Number	Description
WGARA-CVR	Outdoor cover, audible, red, ALERT
WGARF-CVR	Outdoor cover, audible, red, FIRE
WGARF-FR-CVR	Outdoor cover, audible, red, FIRE FEU
WGARF-SP-CVR	Outdoor cover, audible, red, FUEGO
WGARN-CVR	Outdoor cover, audible, red, no marking
GWAWA-CVR	Outdoor cover, audible, white, ALERT
GWAWF-CVR	Outdoor cover, audible, white, FIRE
GWAWF-FR-CVR	Outdoor cover, audible, white, FIRE FEU
GWAWF-SP-CVR	Outdoor cover, audible, white, FUEGO
GWAWN-CVR	Outdoor cover, audible, white, no marking

Table 9: Strobe replacement covers

Model	Description
WGVRA-CVR	Outdoor cover, visual, red, ALERT
WGVRF-CVR	Outdoor cover, visual, red, FIRE
WGVRF-FR-CVR	Outdoor cover, visual, red, FIRE FEU
WGVRF-SP-CVR	Outdoor cover, visual, red, FUEGO
WGVRN-CVR	Outdoor cover, visual, red, no marking
WGVRA-CVR	Outdoor cover, visual, white, ALERT
WGVWA-CVR	Outdoor cover, visual, white, ALERT
WGVWF-CVR	Outdoor cover, visual, white, FIRE
WGVWF-FR-CVR	Outdoor cover, visual, white, FIRE FEU
WGVWF-SP-CVR	Outdoor cover, visual, white, FUEGO
WGVWN-CVR	Outdoor cover, visual, white, no marking

Table 10: Horn-strobe replacement covers

Model	Description
WGAVRA-CVR	Outdoor cover, audible/visual, red, ALERT
WGAVRF-CVR	Outdoor cover, audible/visual, red, FIRE
WGAVRF-FR-CVR	Outdoor cover, audible/visual, red, FIRE FEU
WGAVRF-SP-CVR	Outdoor cover, audible/visual, red, FUEGO
WGAVRN-CVR	Outdoor cover, audible/visual, red, no marking
WGAVWA-CVR	Outdoor cover, audible/visual, white, ALERT
WGAVWF-CVR	Outdoor cover, audible/visual, white, FIRE
WGAVWF-FR-CVR	Outdoor cover, audible/visual, white, FIRE FEU
WGAVWF-SP-CVR	Outdoor cover, audible/visual, white, FUEGO
WGAVWN-CVR	Outdoor cover, audible/visual, white, no marking

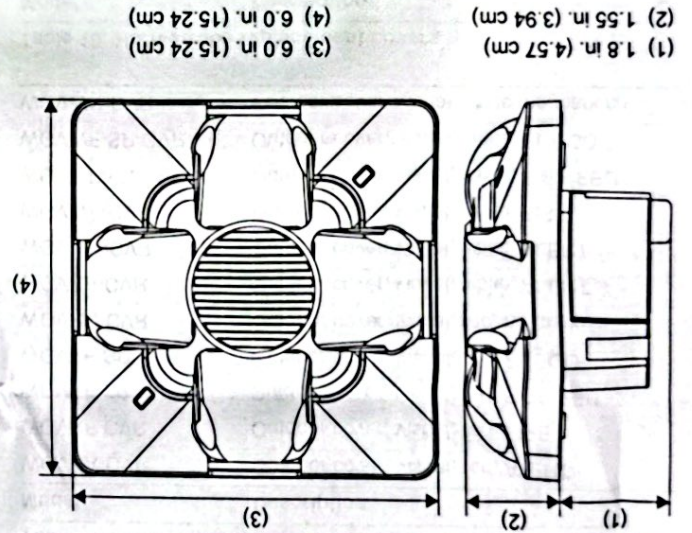


Figure 6: Dimensions

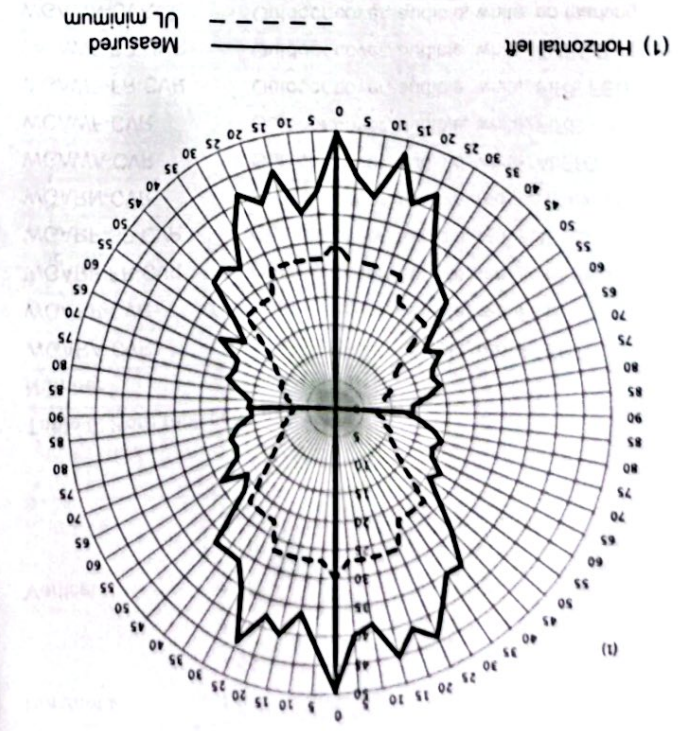


Figure 5: Light distribution

Regulatory information

UL rating	Regulated 24 DC
FCC compliance	This device complies with part 15 of the FCC Rules. Operation is subject to the following two conditions: (1) This device may not cause harmful interference, and (2) this device must accept any interference received, including interference that may cause undesired operation.
Industry Canada compliance	This Class A digital apparatus complies with Canadian ICES-003.
Environmental class	Outdoor wet

Contact information

For contact information, see www.edwardsfrsafety.com.

(1) Horizontal left

Measured
UL minimum