

Notification Appliances

ST – Strobes and Strobe Plates Applications: Indoor / Outdoor



ST-MC-RETRO-R Plate



ST-MC-CW | ST-HMC-CW Strobe



ST-MC-R Strobe

Product Overview

- Strobes feature low-current draw
- Ceiling-mount, multi-Candela models are available with field-selectable Candela settings of 15/30/75/95cd or 115/177cd
- Wall-mount, multi-Candela models are available with field-selectable Candela settings of 15/30/75/110cd
- Strobes produce one (1) flash per second over the regulated voltage range
- Synchronized using the Siemens DSC sync modules; the Siemens 50-point, 252-point and 504-point fire alarm control panels (FACPs), as well as with:
 - FireFinder® XLS and MXL® FACPs
 - PAD-3 or PAD-4™ NAC Extenders with built-in sync protocol
- Fast installation with In / Out screw terminals using #12 to #18 AWG wire
- @UL Listed, @ULC Listed;
 - FM and CSFM Approved (#7125-0067:0252 → Fire Alarm Devices For The Hearing Impaired, non-weatherproof)
 - (#7125-0067:0256 → Fire Alarm Devices For The Hearing Impaired, weatherproof)
- Meets OSHA 29 Part 1910.165

Specifications

- Visual-notification appliances are Siemens Series `ST` Strobe Appliances or approved equals
- The Series `ST` meet (and are listed for) @UL Standard 1971 for Indoor Fire Protection Service (Emergency Devices for the Hearing-Impaired)
- Strobes are listed for indoor use only
- Strobe appliances produce a flash rate of one (1) flash per second over the Regulated Voltage Range, and incorporate a Xenon flashtube enclosed in a rugged Lexan® lens
- All inputs are compatible with standard, reverse polarity supervision of circuit wiring by a Fire-Alarm Control Panel (FACP)
- Strobe Plates, when installed, are the Siemens-Series Strobe Plate (ST-MC-RETRO), and will have the same electronic circuitry as the Siemens Series `ST`
- The Series `ST` Strobe are of low current design
- The selector switch for selecting the candela is tamper-resistant

'ST' Series Strobes and Strobe Plates 2573

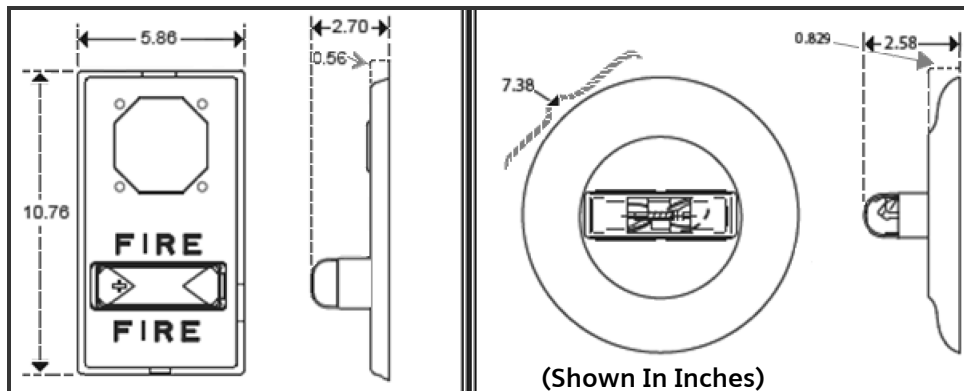
Specifications – (continued)

- The strobe intensity for ceiling-mount models has field-selectable settings, and is rated per @UL Standard 1971 for 15/30/75/95cd or 115/177cd where multi-Candela appliances are specified
- The strobe intensity for wall-mount models has field-selectable settings, and is rated per @UL Standard 1971 for 15/30/75/110cd where multi-Candela appliances are specified
- When synchronization is required, the appliance is compatible with Siemens' DSC Sync Modules; the Siemens 50-point, 252-point and 504-point fire alarm control panels (FACPs), as well as with:
 - FireFinder® XLS and MXL® FACPs
 - PAD-3 or PAD-4™ NAC Extenders with built-in sync protocol
- The strobes will not drift out of synchronization at any time during operation
- If the sync module or Power Supply fails to operate, (i.e. - contacts remain closed), the strobe will revert to a non-synchronized flash rate
- The strobes are designed for indoor (surface or flush) mounting
- All notification appliances are backward compatible
- The Series `ST' Strobe Appliances incorporates a patented strobe mounting plate that allows mounting to any of the following:
 - one (1) single-gang or double-gang, 4-inch square (10.2 cm.) back box;
 - one (1) Model SHBBS surface back box,
 - one (1) Model SBL2S surface back box (used only with Model ST-MC-RETRO-R)

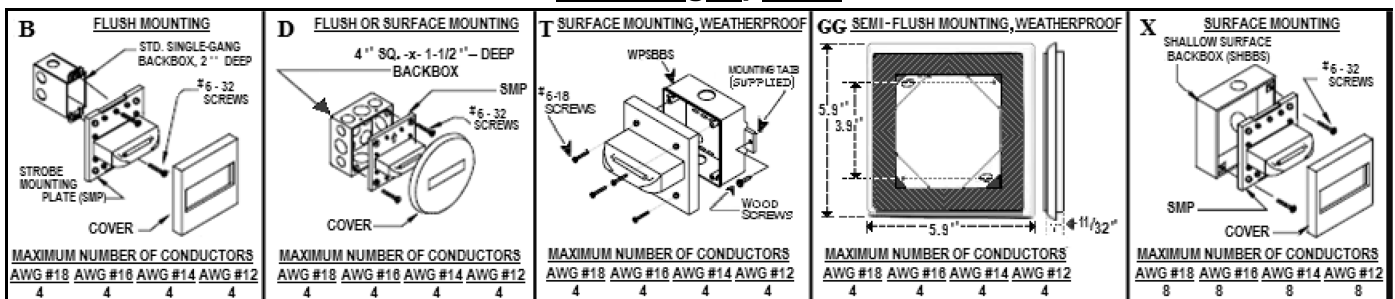
General Notes

- Strobes are designed to flash at one (1) flash per second minimum over their "Regulated Voltage Range" *
- All candela ratings represent minimum effective Strobe intensity based on @UL 1638 and @UL Standard 1971
- All notification appliances are listed for "Special Applications"
 - * NFPA-72 specifies a flash rate of 1 to 2 flashes per second, and ADA Guidelines specify a flash rate of 1-to-3 flashes per second

Mounting Diagram



Mounting Options



Technical Data

ST-MC Series Strobe: Wall Mount

| Current Ratings (AMPs) | | MAXIMUM RMS Current | | | |
|------------------------|-----------------|---------------------|-------|-------|-------|
| Input Voltage | | 15cd | 30cd | 75cd | 110cd |
| DC | 16.0 – 33.0VDC | 0.064 | 0.098 | 0.175 | 0.233 |
| FWR | 16.0 – 33.0VRMS | 0.108 | 0.164 | 0.268 | 0.368 |

ST-MC-CW & ST-HMC-CW Series: Ceiling Mount

| Current Ratings (AMPs) | | MAXIMUM RMS Current | | | | | |
|------------------------|-----------------|---------------------|-------|-------|-------|-------|-------|
| Input Voltage | | 15cd | 30cd | 75cd | 95cd | 115cd | 177cd |
| DC | 16.0 – 33.0VDC | 0.069 | 0.111 | 0.200 | 0.264 | 0.318 | 0.445 |
| FWR | 16.0 – 33.0VRMS | 0.117 | 0.180 | 0.297 | 0.398 | 0.482 | 0.684 |

ST-75-WP Strobe: Wall Mount, Weatherproof

| Current Ratings (AMPs) | | MAXIMUM RMS Current | |
|------------------------|-----------------|------------------------|------------------------------|
| Input Voltage | | 115cd (Per ©UL1638) | 30 / 180cd (Per ©UL 1971) |
| DC | 16.0 – 33.0VDC | 0.146 | 0.146 |
| FWR | 16.0 – 33.0VRMS | 0.235 | 0.235 |

ST-75-C-WP Strobe: Ceiling Mount, Weatherproof

| Current Ratings (AMPs) | | MAXIMUM RMS Current | |
|------------------------|-----------------|------------------------|------------------------------|
| Input Voltage | | 115cd (Per ©UL1638) | 30 / 180cd (Per ©UL 1971) |
| DC | 16.0 – 33.0VDC | 0.146 | 0.146 |
| FWR | 16.0 – 33.0VRMS | 0.235 | 0.235 |

ST-HMC-WP Strobe: Wall Mount, Weatherproof

| Current Ratings (AMPs) | | MAXIMUM RMS Current | | | |
|------------------------|-----------------|-----------------------|-----------------------|------------------------|------------------------|
| Input Voltage | | 65cd (Per ©UL1638) | 90cd (Per ©UL1638) | 135cd (Per ©UL1971) | 185cd (Per ©UL1971) |
| DC | 16.0 – 33.0VDC | 0.318 | 0.445 | 0.318 | 0.445 |
| FWR | 16.0 – 33.0VRMS | 0.482 | 0.684 | 0.482 | 0.684 |

ST-HMC-C-WP Strobe: Ceiling Mt., Weatherproof

| Current Ratings (AMPs) | | MAXIMUM RMS Current | | | |
|------------------------|-----------------|-----------------------|-----------------------|------------------------|------------------------|
| Input Voltage | | 50cd (Per ©UL1638) | 75cd (Per ©UL1638) | 115cd (Per ©UL1971) | 177cd (Per ©UL1971) |
| DC | 16.0 – 33.0VDC | 0.318 | 0.445 | 0.318 | 0.445 |
| FWR | 16.0 – 33.0VRMS | 0.482 | 0.684 | 0.482 | 0.684 |

ST Series Strobes: Weatherproof

| ©UL / ©ULC Models and Ratings | | | | | |
|-------------------------------|--|---|-------------------------------|-------------|------------------------------------|
| Model | Operating Voltage (Special Application) Per ©UL 1638, ©UL1971 and ©UL464 (VDC/VRMS) | Voltage Range Per CAN/©ULC-S526-02 (VDC/VRMS) | ©UL Rated Strobe Candela (cd) | | ©ULC Rated Light Output (cd) |
| | | | At -40°C, per ©UL1638 | ©UL1971 | |
| ST-75-WP* | 16.0 – 33.0 | 20.0 – 31.0 | 115 | 30 / 180 ** | 30 |
| ST-75-C-WP* | 16.0 – 33.0 | ~ | 115 | 30 / 180 ** | ~ |
| ST-HMC-C-WP* | 16.0 – 33.0 | ~ | 50 / 75 | 115 / 177 | ~ |
| ST-HMC-WP* | 16.0 – 33.0 | ~ | 65 / 90 | 135 / 185 | ~ |

* Available in red or white.

180cd is on Axis only **

- Notes:**
1. Strobe will produce 1 flash-per-second over the Input Voltage range.
 2. This strobe/horn model meets the required light distribution patterns defined in ©UL 1638 | ©UL 1971 | ©ULC S526-02.
 3. This model is ©UL Listed for indoor use with a temperature range of +32°F to +120°F (0°C to +49°C).
©UL 1638 is tested from a temperature range of -40°F to +150°F (-40°C to +66°C) with a maximum humidity of 95% RH.

The effect of shipping and storage temperatures will not adversely affect the performance of the appliance when it is stored in the original cartons, and is not subjected to either misuse or improper handling of shipment.

Details for Ordering — (Including Mounting Options & Agency Approvals)

Agency Approvals

| Model | Part Number | Description | Mounting Options* | UL | FM | CSFM |
|-------------------------|-------------|--|-------------------|----|----|------|
| ST-MC-CW | 500-636098 | Strobe: Candela Ceiling, White | B,D,E,F,G,J,N,R,X | ✓ | - | ✓ |
| ST-HMC-CW | 500-636097 | Strobe: Hi Multi-Candela Ceiling, White | B,D,E,F,G,J,N,R,X | ✓ | - | ✓ |
| ST-MC-R | 500-636099 | Strobe: Multi-Candela, Red | B,D,E,F,G,J,N,R,X | ✓ | - | ✓ |
| ST-MC-W | 500-636100 | Strobe: Multi-Candela, White | B,D,E,F,G,J,N,R,X | ✓ | - | ✓ |
| ST-MC-RETRO-R | 500-636103 | Strobe: Multi-Candela Retro Plate, Red | D, E, Z | ✓ | ✓ | ✓ |
| ST-75-CR-WP | 500-636104 | Strobe: Weatherproof Ceiling, Red | T,T+WPS-KIT, GG | ✓ | - | ✓ |
| ST-75-CW-WP | 500-636105 | Strobe: Weatherproof Ceiling, White | T,T+WPS-KIT, GG | ✓ | - | ✓ |
| ST-75-R-WP | 500-636106 | Strobe: Weatherproof Wall, Red | T,T+WPS-KIT, GG | ✓ | ✓ | ✓ |
| ST-75-W-WP | 500-636107 | Strobe: Weatherproof Wall, White | T,T+WPS-KIT, GG | ✓ | ✓ | ✓ |
| ST-HMC-CR-WP | 500-636177 | Strobe: Hi Multi-Candela Ceiling Weatherproof, Red | T,T+WPS-KIT, GG | ✓ | - | ✓ |
| ST-HMC-CW-WP | 500-636178 | Strobe: Hi Multi-Candela Ceiling Weatherproof, White | T,T+WPS-KIT, GG | ✓ | - | ✓ |
| ST-HMC-R-WP | 500-636179 | Strobe: Hi Multi-Candela Wall Weatherproof, Red | T,T+WPS-KIT, GG | ✓ | - | ✓ |
| ST-HMC-W-WP | 500-636180 | Strobe: Hi Multi-Candela Wall Weatherproof, White | T,T+WPS-KIT, GG | ✓ | - | ✓ |
| ST-MC-R-AR ¹ | 500-650224 | Strobe: Agent-Release Only ("AGENT" text), Red | B,D,E,F,G,J,N,R,X | ✓ | - | ✓ |

¹: Refer to Sinorix® Fire Suppression data sheet, **6634**, for more information.

*: Refer to data sheet #2585 for detailed mounting options

Notes: For Model ST-AMC (amber) and ST-CMC (clear) strobe appliances, which are used exclusively for mass notification, refer to data sheet, **2588**.

✓: Agency Listed / Approved

A Siemens WPS-KIT is comprised of one (1) hardware package; two (2) red plugs; two (2) white plugs, and one (1) gasket.

Notice: This marketing data sheet is not intended to be used for system design or installation purposes. For the most up-to-date information, refer to each product's installation instructions.