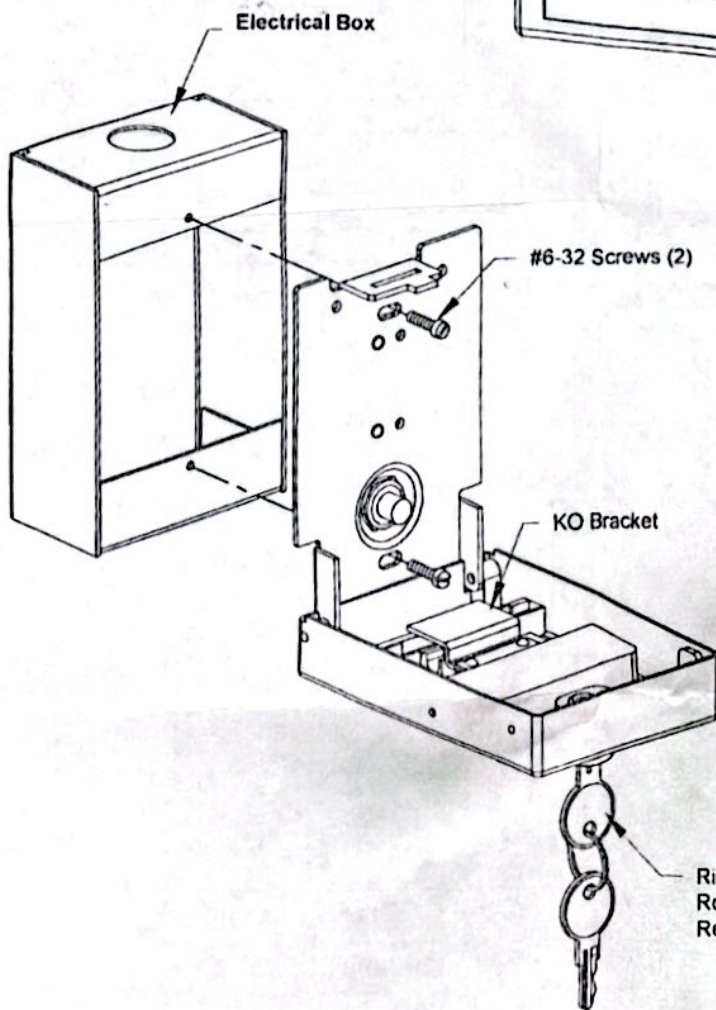


Installation and Service



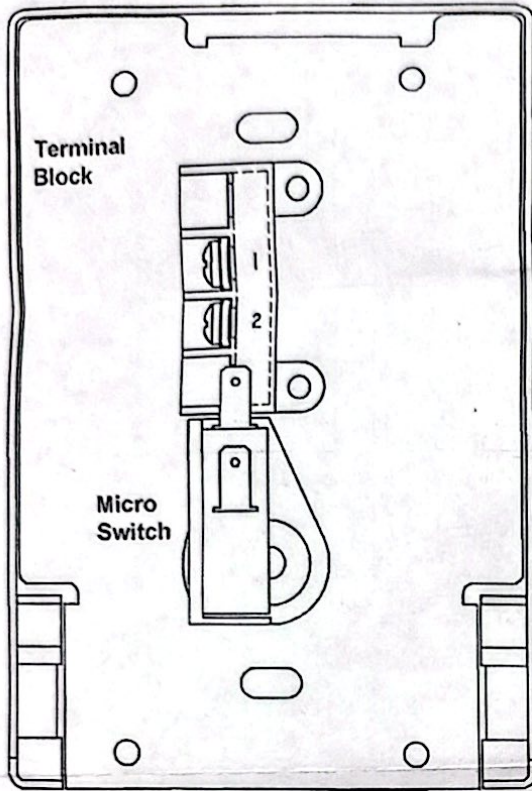
To Activate Alarm:
Insert Key, turn it 1/4
clockwise turn, open station.

To Reset Station:
Insert Key, hold station
closed then turn it 1/4
counterclockwise turn.

Wiring Instructions on Reverse Side

RMS-KO/REV.A

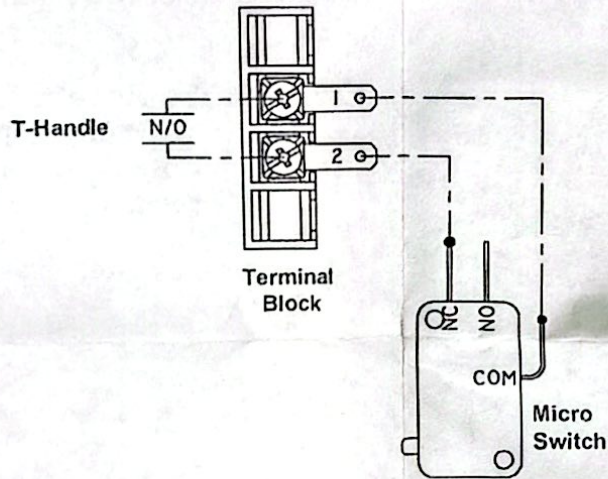
Rear View



Front View



Electrical Wiring



Model	Terminal Block	Terminal Connecting	Switch Function	Contact Rating
RMS-1T-KO	YES	1-2	SPST	10 amp @ 125 vac

Mounting Instructions on Reverse Side

RMS-KO/REV.A

WEATHER PROOF INSTALLATION INSTRUCTIONS

WEATHER PROOF BACK BOX DIMENSIONS

	H	W	D
OUTSIDE	4-3/4"	3-3/16"	2-1/8"
INSIDE	3-3/4"	2-3/4"	2-1/16"
W/STATION	4-3/4"	3-3/16"	3"

