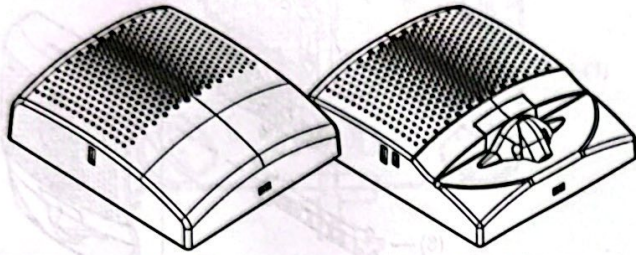




Genesis LED Low Frequency Horn-Strobe Installation Sheet



Description

Genesis LED G4LF horn and G4LFV horn-strobes are wall-mounted plug-in fire alarm notification appliances designed for indoor dry applications. See Table 1 and Table 2 for a list of models.

Table 1: G4LF horn models

Catalog number	Description
G4LFRF	Horn, wall, red, FIRE
G4LFRF-FR	Horn, wall, red, FEU/FIRE
G4LFRF-SP	Horn, wall, red, FUEGO
G4LFRN	Horn, wall, red, no marking
G4LFWF	Horn, wall, white, FIRE
G4LFWF-FR	Horn, wall, white, FEU/FIRE
G4LFWF-SP	Horn, wall, white, FUEGO
G4LFWN	Horn, wall, white, no marking

Table 2: G4LFV horn-strobe models

Catalog number	Description
G4LVRF	Horn-strobe, wall, red, FIRE
G4LVRF-FR	Horn-strobe, wall, red, FEU/FIRE
G4LVRF-SP	Horn-strobe, wall, red, FUEGO
G4LVRN	Horn-strobe, wall, no marking
G4LVWF	Horn-strobe, wall, white, FIRE
G4LVWF-FR	Horn-strobe, wall, white, FEU/FIRE
G4LVWF-SP	Horn-strobe, wall, white, FUEGO
G4LVWN	Horn-strobe, wall, white, no marking

Genesis LED G4LF and G4LFV features:

- Field-configurable horn and strobe outputs. See Figure 2 and Figure 3.
- Enhanced synchronization circuitry to comply with the latest requirements of UL 1638 and CAN/ULC 526.
- Input wiring test points on the front of the appliance when the cover is removed.

Note: Synchronized operation requires a separately installed synchronization device. See the control unit or power supply compatibility list for compatible synchronization devices.

Configuration

Caution: Equipment damage hazard. Using excessive force when removing the appliance cover may damage the cover and prevent it from latching in place.

To configure the notification appliance:

1. Remove the appliance cover. See Figure 1.
Insert a small, flat-bladed screwdriver into the slot at the bottom of the appliance.
Gently pull up on the screwdriver to pry the bottom of the appliance cover down and away from the appliance.
Lift the bottom of the cover out and over the top of the appliance.
2. On horns and horn-strobes, set the horn tone and volume switch for the required value. See Figure 2.
3. On horn-strobes, set the strobe candela switch for the required value. See Figure 3.
4. Replace the appliance cover.

Figure 1: Removing and replacing the cover

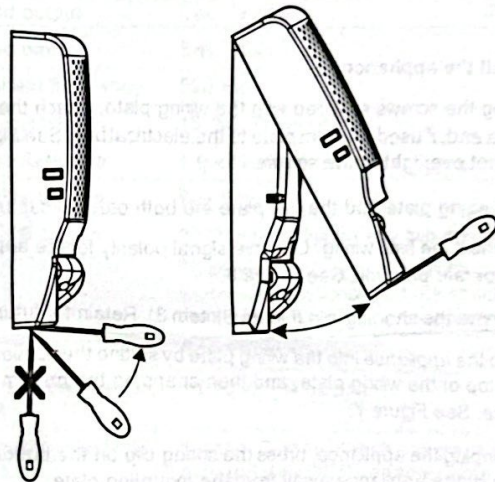


Figure 2: Horn switch settings

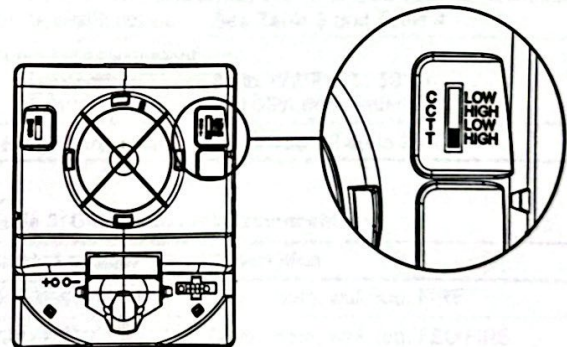
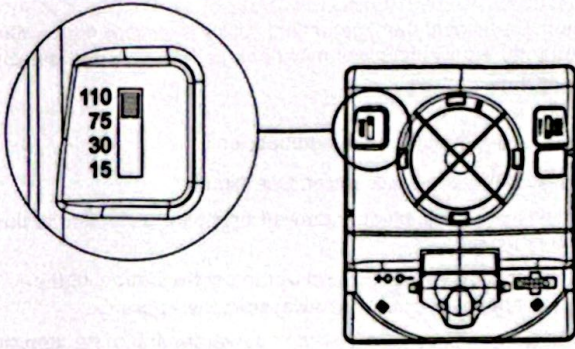


Figure 3: Strobe switch settings



Installation

Install and wire this device in accordance with applicable national and local codes, ordinances, and regulations.

Caution: Electrical supervision requires that you break the wire run at each terminal. Do not loop the notification circuit field wires around the terminals.

To install the appliance:

1. Using the screws supplied with the wiring plate, attach the wiring plate and, if used, the trim plate to the electrical box. See Figure 4. Do not overtighten the screws.

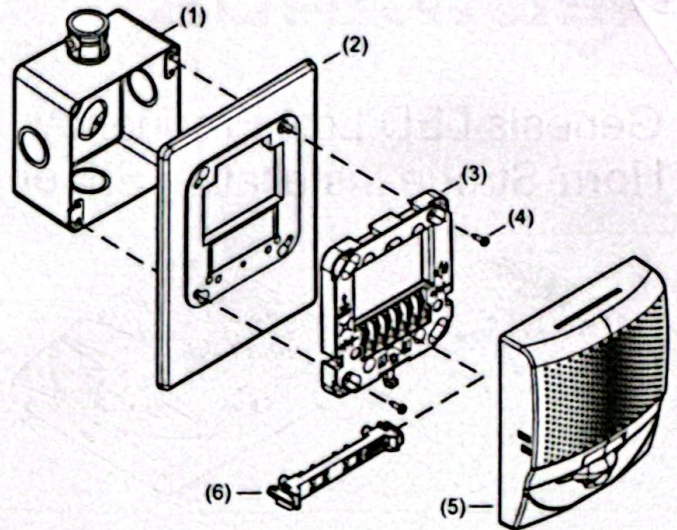
The wiring plate and the trim plate are both ordered separately.

2. Connect the field wiring. Observe signal polarity for the appliance to operate properly. See Figure 6.
3. Remove the shorting clip (Figure 6, item 3). Retain for future use.
4. Plug the appliance into the wiring plate by setting the appliance on the top of the wiring plate, and then snapping the bottom into place. See Figure 7.

To unplug the appliance, press the spring clip on the bottom, and then lift the appliance away from the mounting plate.

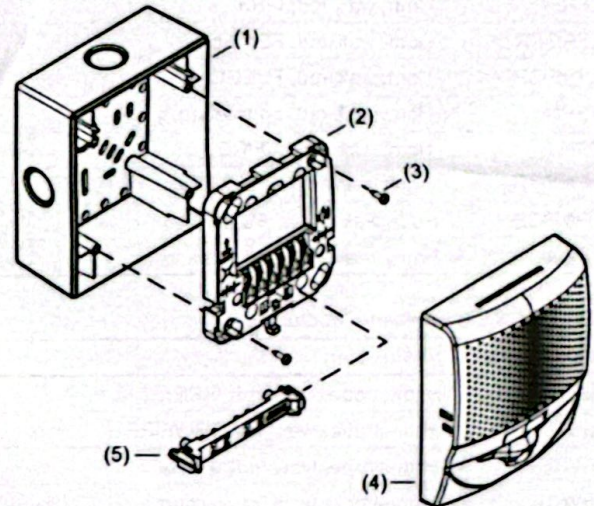
5. Test the unit for proper operation.

Figure 4: Typical electrical box mounting



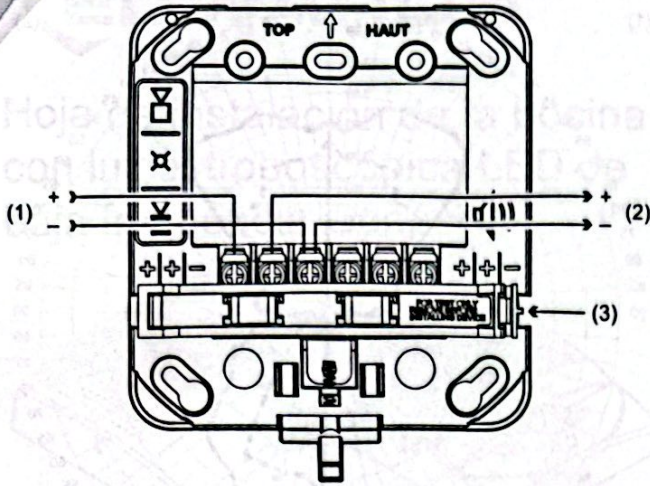
- (1) Electrical box
- (2) Trim plate (optional)
- (3) Wiring plate (required, ordered separately)
- (4) Machine screw (2X, supplied with wiring plate)
- (5) Notification appliance
- (6) Shorting clip

Figure 5: Typical surface box mounting



- (1) Surface box
- (2) Wiring plate (required, ordered separately)
- (3) Plastite screw (2X, supplied with surface box)
- (4) Notification appliance
- (5) Shorting clip

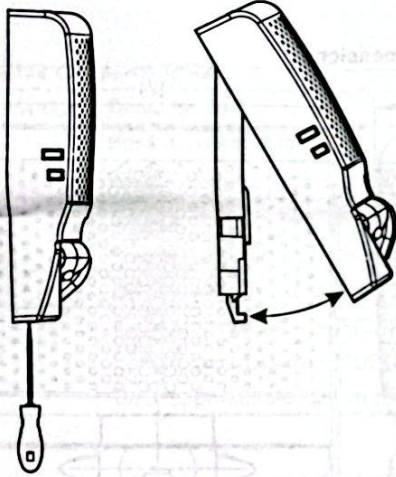
Figure 6: Wiring



- (1) Horn-strobe circuit IN (signal polarity shown in the active condition)
- (2) Horn-strobe circuit OUT
- (3) Shorting clip

Note: To maintain circuit continuity, do not remove the shorting clip (Figure 6, item 3) until you are ready to install the notification appliance.

Figure 7: Removing and replacing the appliance



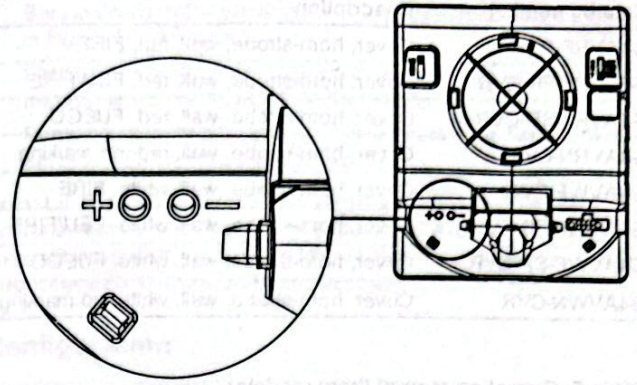
Maintenance and testing

Caution: To maintain the required agency listings, do not change factory-applied finishes.

This unit is not serviceable or repairable. Should the unit fail to operate, contact the supplier for a replacement.

Perform a visual inspection and an operational test twice a year or as directed by the local authority having jurisdiction. See Figure 8.

Figure 8: Horn-strobe circuit test points



Note: Marking indicates signal polarity when the circuit is active.

Specifications

Operating voltage	16 to 33 VDC, 16 to 33 VFWR
Operating current	See Table 5 and Table 6
Sound output	See Table 7
Sound pattern	See Table 8
Resonant frequency	520 Hz
Light output	15, 30, 75, or 110 cd
Strobe flash rate	1 fps (flash per second) approx.
Light distribution	See Figure 9
Synchronization	20 Ω max. between any two devices. To determine allowed wire resistance, refer to these specifications, and the specifications for the synchronized signal source.
Dimensions	See Figure 10
Strobe-to-box center offset	-1.70 in. (-4.32 cm)
Compatible electrical boxes	1-gang, 2-gang, 4-inch square, 4-inch octagon with GOCT adapter plate, G4RSB, G4WSB
Wiring plate	GRSW (catalog number: GRSW-10)
Trim plates	G4TR, G4TW
Replacement covers	See Table 3 and Table 4
Operating environment	
Temperature	32 to 122°F (0 to 50°C)
Relative humidity	0 to 93% noncondensing
Storage temperature	-40 to 158°F (-40 to 70°C)

Table 3: G4LF horn replacement covers

Catalog number	Description
G4ARF-CVR	Cover, hom, wall, red, FIRE
G4ARF-FR-CVR	Cover, hom, wall, red, FEU/FIRE
G4ARF-SP-CVR	Cover, hom, wall, red, FUEGO
G4ARN-CVR	Cover, hom, wall, red, no marking
G4AWF-CVR	Cover, hom, wall, white, FIRE
G4AWF-FR-CVR	Cover, hom, wall, white, FEU/FIRE
G4AWF-SP-CVR	Cover, hom, wall, white, FUEGO
G4AWN-CVR	Cover, hom, wall, white, no marking

Table 4: G4LFV horn-strobe replacement covers

Catalog number	Description
G4AVRF-CVR	Cover, horn-strobe, wall, red, FIRE
G4AVRF-FR-CVR	Cover, horn-strobe, wall, red, FEU/FIRE
G4AVRF-SP-CVR	Cover, horn-strobe, wall, red, FUEGO
G4AVRN-CVR	Cover, horn-strobe, wall, red, no marking
G4AVWF-CVR	Cover, horn-strobe, wall, white, FIRE
G4AVWF-FR-CVR	Cover, horn-strobe, wall, white, FEU/FIRE
G4AVWF-SP-CVR	Cover, horn-strobe, wall, white, FUEGO
G4AVWN-CVR	Cover, horn-strobe, wall, white, no marking

Table 5: Operating current (horn models)

Sound setting	16 to 33 VDC	16 to 33 VFWR
C-LOW, T-LOW	43 mA	82 mA
C-HIGH, T-HIGH	123 mA	198 mA

Table 6: Operating current (horn-strobe models)

Strobe setting	Sound setting	16 to 33 VDC	16 to 33 VFWR
15, 30, 75, 110	C-LOW, T-LOW	66 mA	103 mA
	C-HIGH, T-HIGH	159 mA	230 mA

Table 7: Sound output (horn and horn-strobe models)

Sound setting	Low dB(A)	High dB(A)
Continuous/Temporal	78	83

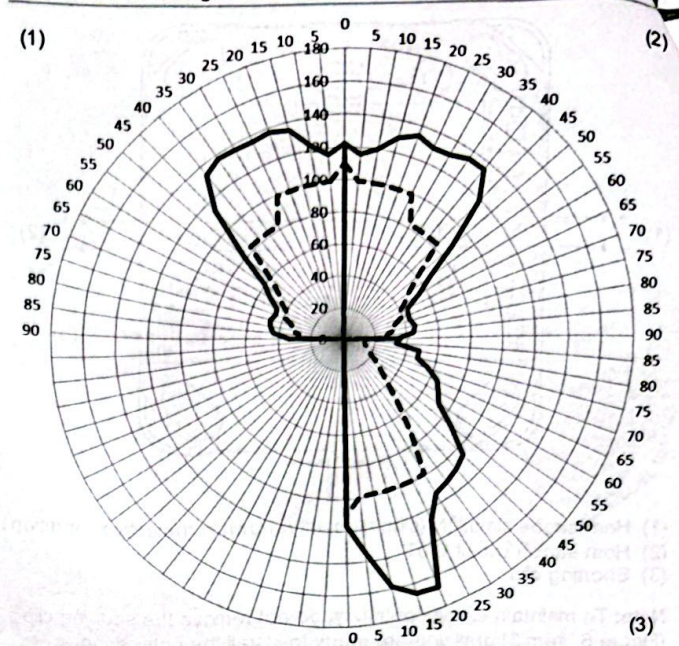
Table 8: Sound pattern

Axis	Angle (°)	Change in output (dB)
Horizontal	+/- 42	- 3
	+/- 75	- 6
	+/- 90	- 8.3
Vertical	+/- 37	- 3
	+/- 81	- 6
	+/- 90	- 7.3

Regulatory information

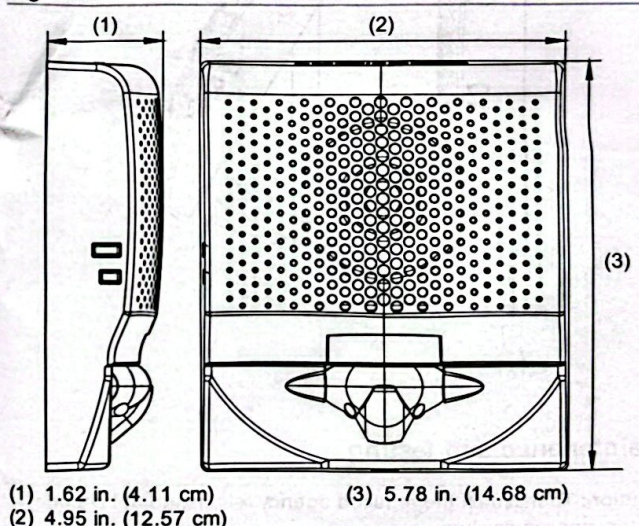
UL rating	Regulated 24 DC and 24 FWR
FCC compliance	This device complies with part 15 of the FCC Rules. Operation is subject to the following two conditions: (1) This device may not cause harmful interference, and (2) this device must accept any interference received, including interference that may cause undesired operation.
Industry Canada compliance	This Class A digital apparatus complies with Canadian ICES-003.
Environmental class	Indoor, dry

Figure 9: 110 cd light distribution



- (1) Horizontal left
 - (2) Horizontal right
 - (3) Vertical bottom
- Measured
 UL minimum

Figure 10: Dimensions



Contact information

For contact information, see www.edwardsfiresafety.com.