

L-Series SPCW8, 8-Inch Dual Voltage Speaker

The SPCW8 8" speaker provides a solution for ceiling mount applications for tap setting range between 1/8 watt to 8 watts. Providing a solution for almost any voice need.

System Sensor offers seven different tap settings ranging from 1/8 to 8 watts providing a solution for life safety and general signaling requirements. The high dB output reduces the number of speakers required for sound and intelligibility. The SPCW8 is designed for high efficiency sound output with low total harmonic distortion to offer high fidelity sound output.

The speakers clear audibility is designed to meet life safety needs from fire to emergency communication messages. With its wide frequency range it can also be used for general signaling such as paging and background music. The SPCW8 speaker is listed to ANSI/UL 1480, CAN/ULC S541 and CSA C22.2. No. 205 requirements for public mode and general signaling applications as well as ANSI/UL 2043 plenum rated. Speaker is suitable for indoor and damp installations.

The SPCW8 can be surface mounted with the included back can or flush mounted with optional accessory, SB-SPC8. The SB-SPC8 (sold separately) offers support for ceiling tile installations and 3/4" knockouts are provided for conduit entry and are compatible with plenum rated cable and plenum whip flex conduit.



SPCW8

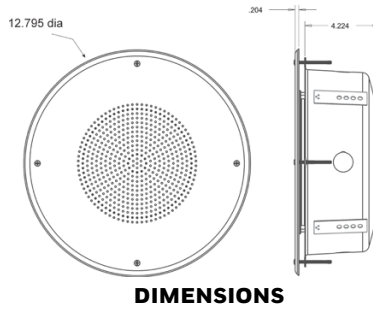
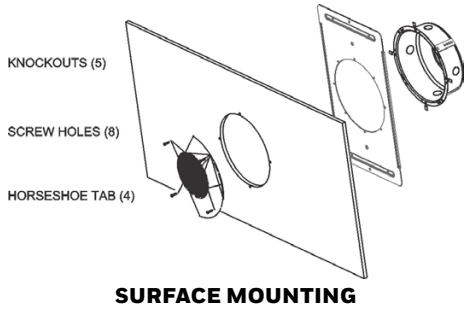
FEATURES & BENEFITS

- For use with separately sold tile support bracket: SB-SPC8
- Offers flush and ceiling tile mounting with use of ceiling tile bracket
- Voltage and speaker tap settings via jumper connection
- Listed with UL and ULC standards
- Broad temperature range 32°F to 120°F
- Accepts wire up to 12 AWG
- Speaker ships with included back can

ARCHITECTURAL/ENGINEERING SPECIFICATIONS

The System Sensor SPCW8 8-inch dual voltage speaker and enclosure shall mount using SB-SPC8 mounting bracket, sold separately. The SPCW8 can be flush mounted with supplied back can or ceiling mounted with back can and SB-SPC8 tile bridge.

The speaker shall be a SPCW8 dual-voltage transformer speaker capable of operating at 25.0 or 70.7 nominal Vrms with field selectable tap settings from 1/8 to 8 Watts. It should be listed to ANSI/UL 1480, CAN/ULC S541 and CSA C22.2 No. 205 requirements for public mode and general signaling applications as well as ANSI/UL 2043 plenum rated. Speaker is suitable for indoor and damp installations. The speaker shall have a frequency range of 400 to 4,000 Hz and shall have an operating temperature between 32°F and 120°F. The speaker shall have power taps and voltage that are selected by jumper connection.



For a complete listing of all compliance approvals and certifications, please visit www.farenhyt.com.

Microsoft, Windows, and the Windows Logo are registered trademarks or trademarks of Microsoft Corporation.

System Sensor® and Honeywell® are registered trademarks of and Farenhyt™ is a trademark of Honeywell International, Inc.

This document is not intended to be used for installation purposes. We try to keep our product information up-to-date and accurate. We cannot cover all specific applications or anticipate all requirements. All specifications are subject to change without notice.

For Technical Support, call 800-446-6444..

PHYSICAL

SPCW8 Speaker with Grill: 12.8" diameter x 2.7"D (325.1 mm x 68.6 mm)

SPCW8 Speaker with Back Can: 12.8" diameter x 4.2"D (325.1 mm x 106.7 mm)

SB-SPC8 Tile Support Bracket: 23.75" diameter x 4.125" W x 10.75"D (603.3 mm x 104.8 mm x 273.1mm)

ELECTRICAL

Nominal Voltage (speakers): 25 Volts or 70.7 Volts (nominal)

Maximum Supervisory Voltage (speakers): 50 VDC

Operating Voltage Range (includes fire alarm panels with built in sync): 8 to 17.5 V (12 V nominal) or 16 to 33 V (24 V nominal)

Frequency Range: 400 to 4,000 Hz (Fire Alarm), 200Hz - 15KHz (General Signaling)

Power: 1/8, 1/4, 1/2, 1, 2, 4, 8 watts

Input Terminal Wire Gauge: 12 to 18 AWG

ENVIRONMENTAL

Standard Operating Temperature: 32°F to 120°F (0°C to 49°C)

Humidity Range: 10 to 93% non-condensing

ORDERING INFORMATION

SPEAKER

SPCW8: 8" Dual Voltage Speaker. White

ACCESSORIES

SPCW8: 8" Dual Voltage Speaker. White

UL CURRENT DRAW DATA

| SOUND OUTPUT | | | | | | | |
|-------------------------------|-------|-------|-------|-----|-----|-----|-----|
| UL Reverberant (dBA @ 10 ft.) | 1/8 W | 1/4 W | 1/2 W | 1 W | 2 W | 4 W | 8 W |
| SPCW8 | 93 | 78 | 81 | 84 | 87 | 90 | 93 |
| UL Anechoic (dBA @ 10 ft.) | | | | | | | |
| SPCW8 | 82 | 85 | 87 | 91 | 94 | 97 | 100 |

For more information

Learn more about Honeywell's Farenhyt Series and other products available by visiting www.farenhyt.com

Honeywell Farenhyt

12 Clintonville Road
Northford, CT 06472
800-328-0103