

CAB-4 Series Cabinets

ONYX® Series Backboxes with Locking Doors



Peripheral Devices

General

All cabinets for NOTIFIER fire alarm control panels are fabricated from 16-gauge steel. The cabinet assembly consists of two basic parts: a backbox and a locking door. Cabinets are available in either black or red, with or without LEXAN® windows. The LEXAN model provides a tasteful combination to accent the decor of the finest lobby setting.

- The **key-locked door** is provided with a pin-type hinge, two keys and the necessary hardware to mount the door to the backbox.
- The **backbox** has been engineered to provide ease-of-entry for the installer. **Knockouts** are positioned at numerous points to aid the installer in bringing a conduit into the enclosure with a minimum of hardship.
- **Right- or left-hand hinges**, selectable in the field. Door opens 180°.
- Cabinets are arranged in **four standard sizes**, A (one tier) through D (four tiers), plus a **mini cabinet** (AA, one tier without a battery compartment). See *Ordering Information*.
- A **trim ring option** is available for semi-flush mounting.
- **Chassis bridge** available for assembling multiple CHS-4 chassis external to the backbox.

Ordering Information

A complete cabinet assembly consists of: a door, a backbox, an optional battery plate, and an optional semi-flush trim ring. For each cabinet required, order one "DR" door and one "SBB" backbox. The BP-4 or BP2-4 battery plate is required for each cabinet assembly that mounts batteries and/or a power supply in the lower position of the cabinet. The optional trim ring is an attractive "picture frame"-style black metal ring.

MINI "AA" SIZE, ONE TIER:

DR-AA4: Door assembly, LEXAN window, one tier (no battery compartment), BLACK.

DR-AA4R: Door assembly, LEXAN window, one tier (no battery compartment), RED.

DR-AA4B: Door assembly, solid door, one tier (no battery compartment), BLACK.

DR-AA4BR: Door assembly, solid door, one tier (no battery compartment), RED.

SBB-AA4: Backbox assembly, one tier (no battery compartment), BLACK.

SBB-AA4R: Backbox assembly, one tier (no battery compartment), RED.

TR-AA4: Accessory semi-flush-mount trim ring, one tier (no battery compartment).

NOTE: Black trim rings are used with red or black cabinets.

ONE TIER, "A" SIZE:

DR-A4: Door assembly, LEXAN window, one tier, BLACK.

DR-A4R: Door assembly, LEXAN window, one tier, RED.

DR-A4B: Door assembly, solid door, one tier, BLACK.

DR-A4BR: Door assembly, solid door, one tier, RED.

SBB-A4: Backbox assembly, one tier, BLACK.

SBB-A4R: Backbox assembly, one tier, RED.



NFS-640 in "B" sized
CAB-4 cabinet

TR-A4: Accessory semi-flush-mount trim ring, one tier (opening 24.062" [61.118 cm] W x 20.062" [50.958 cm] H), BLACK.

NOTE: Black trim rings are used with red or black cabinets.

BP-4: Battery panel for NFS-640 and NFS-3030. Used to cover battery and power supply when lower position is used in backbox.

BP2-4: Battery panel for NFS2-3030. Used to cover battery and power supply when lower position is used in backbox.

TWO TIERS, "B" SIZE:

DR-B4: Door assembly, LEXAN window, two tiers, BLACK.

DR-B4R: Door assembly, LEXAN window, two tiers, RED.

DR-B4B: Door assembly, solid door, two tiers, BLACK.

DR-B4BR: Door assembly, solid door, two tiers, RED.

SBB-B4: Backbox assembly, two tiers, BLACK.

SBB-B4R: Backbox assembly, two tiers, RED.

TR-B4: Accessory semi-flush-mount trim ring, two tiers (opening 24.062" [61.118 cm] W x 28.562" [72.548 cm] H), BLACK.

NOTE: Black trim rings are used with red or black cabinets.

BP-4: Battery panel for NFS-640 and NFS-3030. Used to cover battery and power supply when lower position is used in backbox.

BP2-4: Battery panel for NFS2-3030. Used to cover battery and power supply when lower position is used in backbox.

THREE TIERS, "C" SIZE:

DR-C4: Door assembly, LEXAN window, three tiers, BLACK.

DR-C4R: Door assembly, LEXAN window, three tiers, RED.

DR-C4B: Door assembly, solid door, three tiers, BLACK.

DR-C4BR: Door assembly, solid door, three tiers, RED.

SBB-C4: Backbox assembly, three tiers, BLACK.

SBB-C4R: Backbox assembly, three tiers, RED.

TR-C4: Accessory semi-flush-mount trim ring, three tiers (opening 24.062" [61.118 cm] W x 37.187" [94.455 cm] H), BLACK.

NOTE: Black trim rings are used with red or black cabinets.

BP-4: Battery panel for NFS-640 and NFS-3030. Used to cover battery and power supply when lower position is used in backbox.

BP2-4: Battery panel for NFS2-3030. Used to cover battery and power supply when lower position is used in backbox.

FOUR TIERS, "D" SIZE:

DR-D4: Door assembly, LEXAN window, four tiers, BLACK.

DR-D4R: Door assembly, LEXAN window, four tiers, RED.

DR-D4B: Door assembly, solid door, four tiers, BLACK.

DR-D4BR: Door assembly, solid door, four tiers, RED.

SBB-D4: Backbox assembly, four tiers, BLACK.

SBB-D4R: Backbox assembly, four tiers, RED.

TR-D4: Accessory semi-flush-mount trim ring, four tiers (opening 24.062" [61.118 cm] W x 45.812" [116.363 cm] H), BLACK.

Note: Black trim rings are used with red or black cabinets.

BP-4: Battery panel for NFS-640 and NFS-3030. Used to cover battery and power supply when lower position is used in backbox.

BP2-4: Battery panel for NFS2-3030. Used to cover battery and power supply when lower position is used in backbox.

ACCESSORIES:

WC-2: Wire channel. Provides a pair of wire trays to neatly route wiring between CHS chassis.

CB-1: Chassis bridge. Provides a bridge between CHS Series chassis.

DP-1B: Blank dress panel, covers one CAB-4 tier, BLACK.

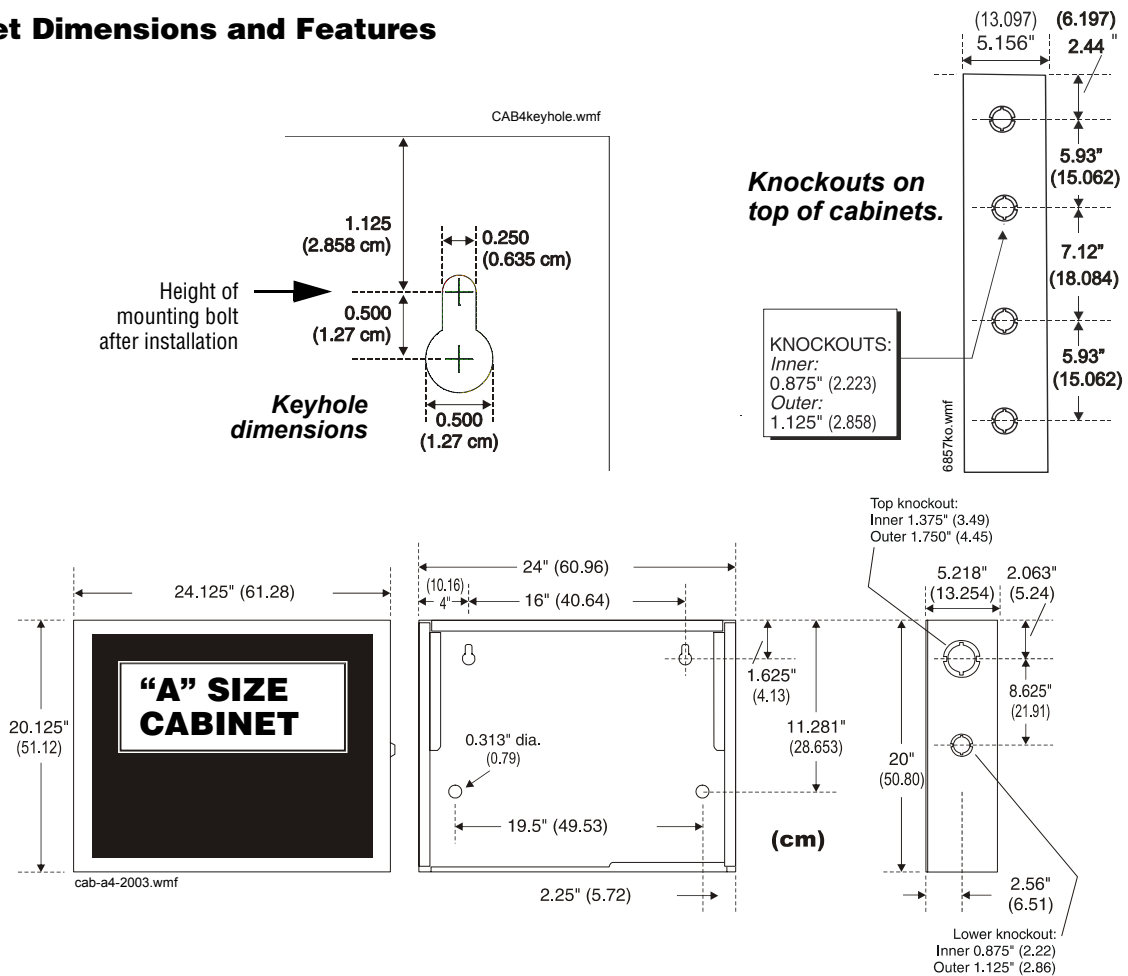
ADP-4B: Annunciator dress panel.

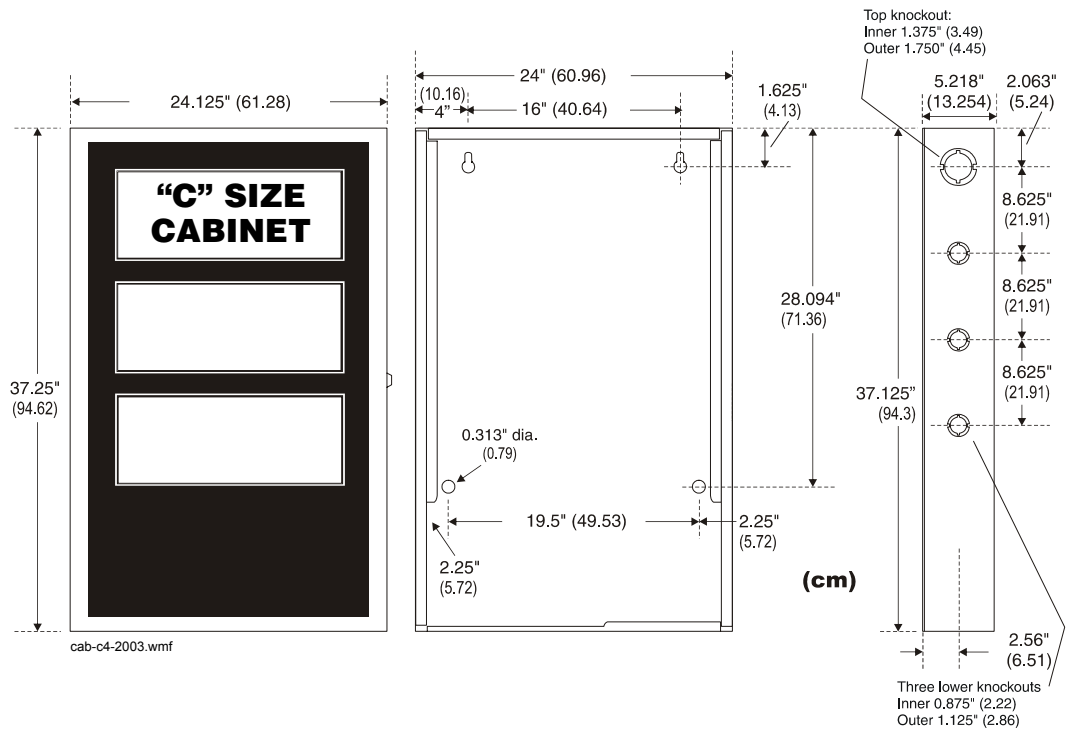
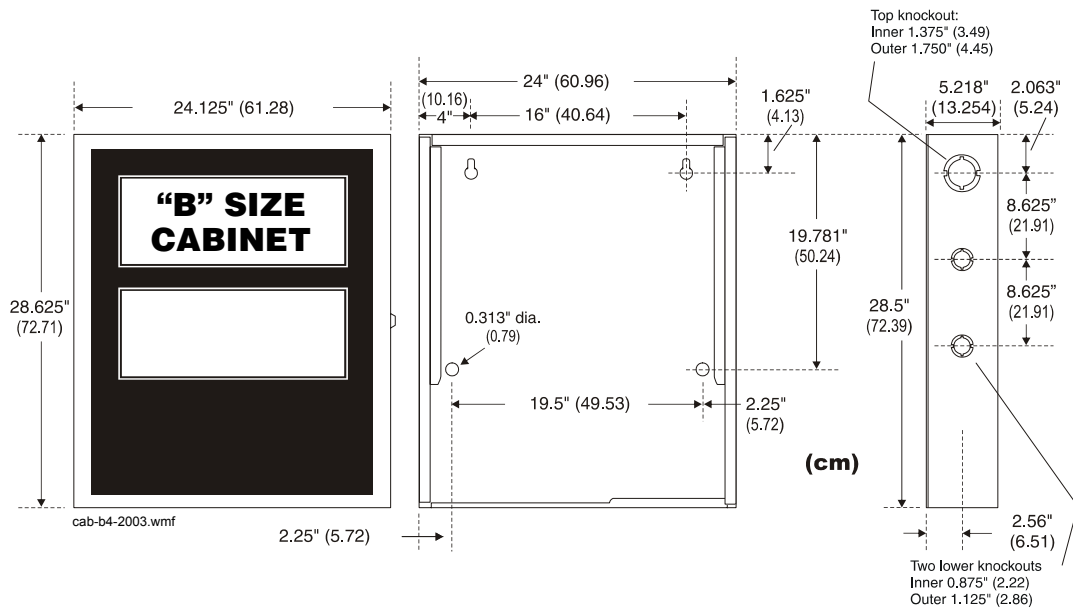
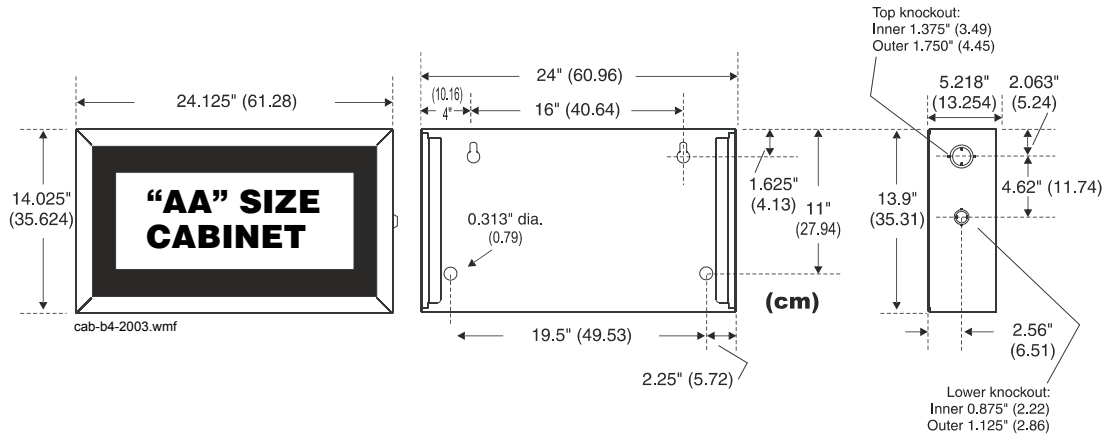
Agency Listings and Approvals

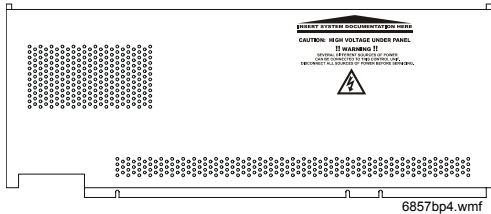
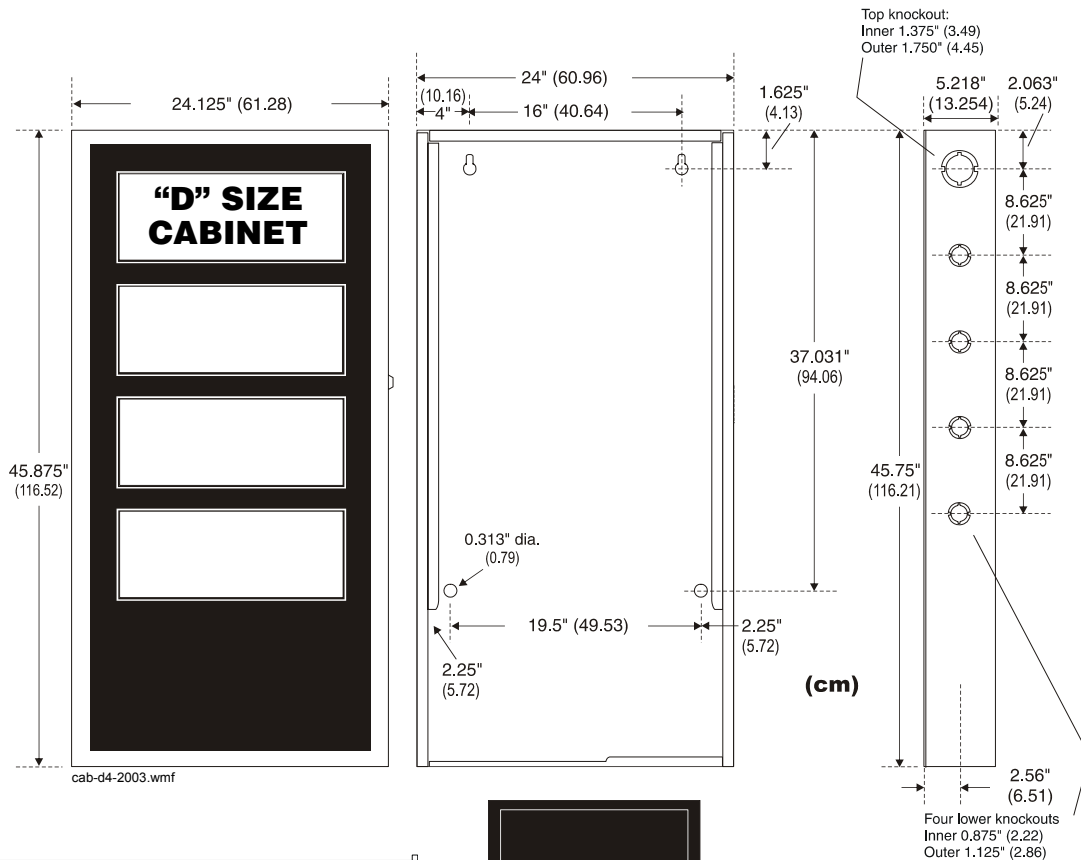
These listings and approvals below apply to the CAB-4 Series Cabinets. In some cases, certain modules or applications may not be listed by certain approval agencies, or listing may be in process. Consult factory for latest listing status.

- **UL** Listed: file S635 (except AA size).
- **ULC** Listed: file CS118 (except AA size).
- **MEA** approved: files 317-01-E, 345-02-E (except AA size).
- **CSFM** approved (except AA size): files 7165-0028:214 (NFS-640), 7170-0028:216 (NFS-640), 7165-0028:224 (NFS-3030), 7170-0028:223 (NFS-3030).
- **FM** approved (except AA size).
- **U.S. Coast Guard** approved: 161.002/42/1 (NFS-640).

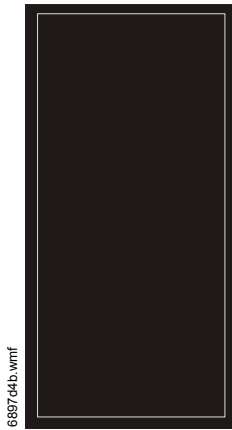
Cabinet Dimensions and Features







The BP-4 Battery Dress Panel covers the Main Power Supply and the batteries in the cabinet. Only one BP-4 or BP2-4 is required per cabinet unless an AA cabinet is used (no battery compartment).



"D" sized cabinet with solid door. Solid door option available on all sizes in black or red.

ONYX® and NOTIFIER® are registered trademarks of Honeywell International Inc. LEXAN® is a registered trademark of GE Plastics, a subsidiary of General Electric Company.
©2006 by Honeywell International Inc. All rights reserved. Unauthorized use of this document is strictly prohibited.



This document is not intended to be used for installation purposes.
We try to keep our product information up-to-date and accurate.
We cannot cover all specific applications or anticipate all requirements.
All specifications are subject to change without notice.



Made in the U.S. A.

For more information, contact Notifier. Phone: (203) 484-7161, FAX: (203) 484-7118.
www.notifier.com