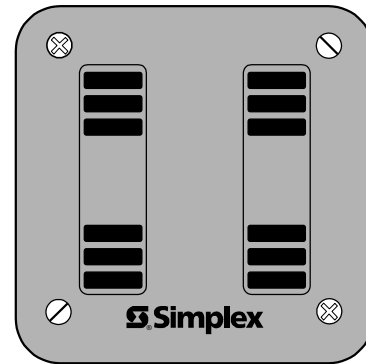


UL Listed
FM Approved

Horns and Mini-Horns
4901-9816, 4901-9817
and 2901 Series

FEATURES:

- Surface or Semi-Flush Mount
- Standard 4 Inch Outlet Box Mounting
- In/Out Terminals for #18 to #12 AWG
- 24 VDC Models:
 - Electro-Mechanical Design with Electronic Optical Control (No Moving Contacts)
 - Diode Polarized Input
 - Red Finish
- AC Models for 120 VAC, 6 VAC, or 4.5 VAC
 - Red or Beige Finish
- Multiple Mounting Options

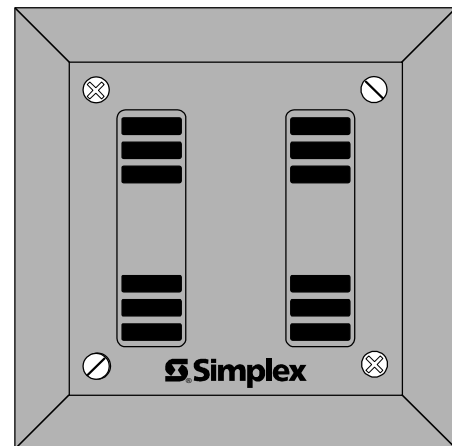


SURFACE HORN

SELECTION CHART:

MODEL	POWER	COLOR	MOUNTING	OUTPUT *
4901-9816	21-30 VDC, 65 mA	Red	Semi-Flush	87 dBA @ 10 ft Min.
4901-9817			Surface	100 dBA @ 10 ft Typical
2901-9549	120 VAC, 70 mA	Red	Surface	87 dBA @ 10 ft Min.
2901-9550		Beige	Surface	
2901-9551		Red	Semi-Flush	95 dBA @ 10 ft Typical
2901-9552		Beige	Semi-Flush	
2901-9553	6 VAC, 1.8 A	Red	Surface	87 dBA @ 10 ft Min.
2901-9554	4.5 VAC, 2.5 A	Red	Surface	95 dBA @ 10 ft Min.

* Minimum dB is calculated from integrated sound pressure measurements at UL per UL Standard 464. Typical dB measurements with conventional sound level meters will be higher in actual installations.



SEMI-FLUSH HORN

HOUSING DIMENSIONS:

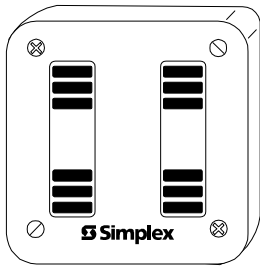
Surface 4 1/2" Square, 5/8" Deep
(114 mm, 16 mm)
Semi-Flush 5 5/16" Square (135 mm),
5/8" Deep (16 mm),
Tapering to 1/4" Deep Edges (6.4 mm)
Depth into Box (all) 1 7/16" max. (37 mm)

DESCRIPTION:

These horns provide a loud and penetrating sound that is easily heard over most ambient noise levels. Mounting is available for surface or semi-flush applications. A variety of mounting options and accessories are available. Refer to pages 2 through 4 for detailed information.

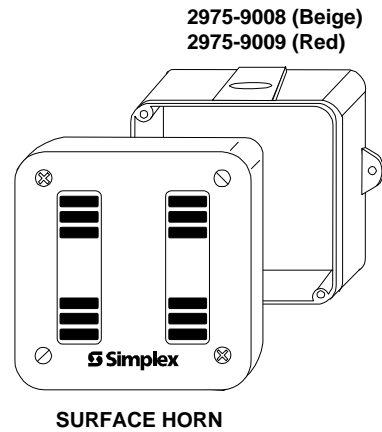
MODULAR HORNS MOUNTING CONFIGURATIONS

A BASIC SURFACE MOUNTED HORN



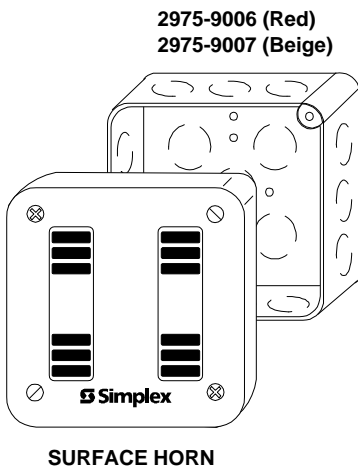
Includes screws for attaching the horn to a 4" (102 mm) square outlet box.

C WEATHERPROOF HORN



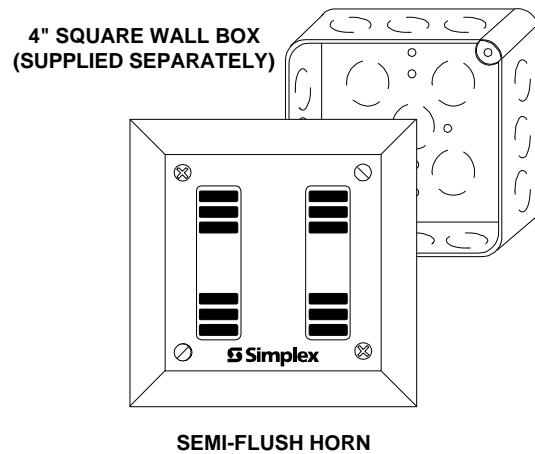
This assembly method requires the surface horn plus the weatherproof box. The box is tapped for 1/2" (13 mm) conduit.

B SURFACE HORN



This assembly method requires the surface horn plus the surface outlet box. Four wood screws for mounting the box are provided.

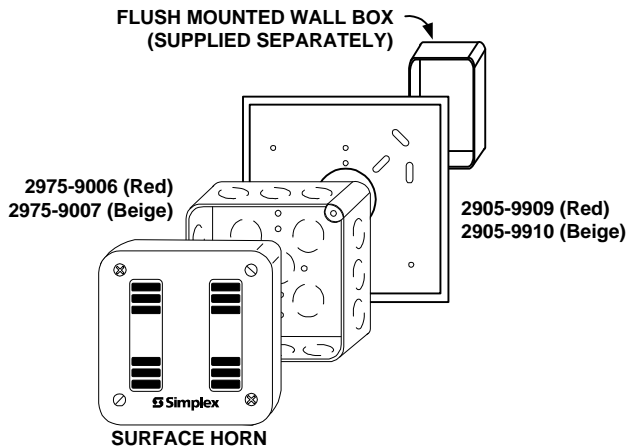
D SEMI-FLUSH HORN



Screws are provided for attaching the semi-flush horn to a 4" (102 mm) square outlet box.

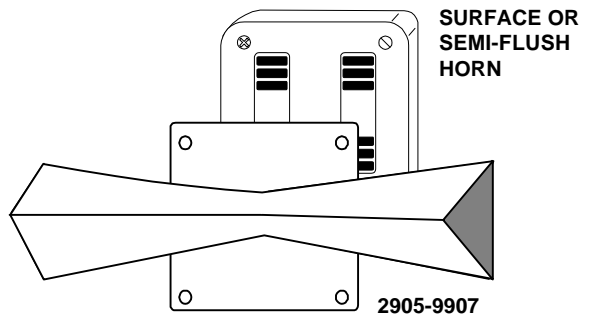
MODULAR HORNS MOUNTING CONFIGURATIONS

E CONCEALED CONDUIT MOUNTING



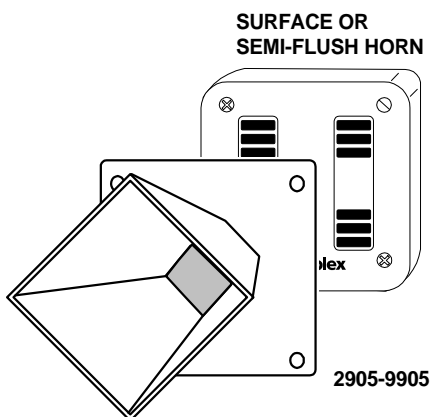
This assembly method requires the surface horn plus the surface outlet box (Illustration B) and the concealed conduit plate. Screws are provided for attaching the plate to the wall box and for attaching the surface box to the plate. An insulating bushing is provided to protect the leads coming through the center knock-out of the surface box.

G DOUBLE PROJECTOR HORN



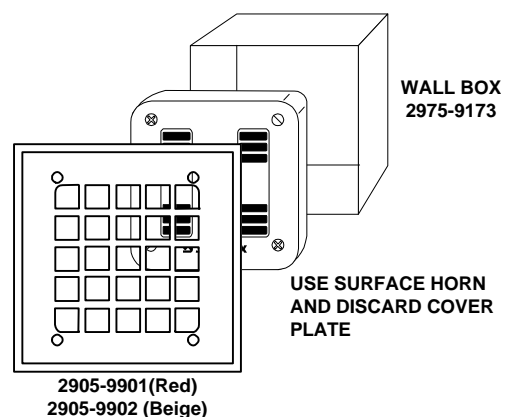
The double projector attaches to the surface or semi-flush horn by the removal and replacement of the two Phillips head screws. This accessory may be used with any illustration, A to E.

F SINGLE PROJECTOR HORN



The single projector attaches to the surface or semi-flush horn by the removal and replacement of the two Phillips head screws. This accessory may be used with any illustration, A to E.

H FLUSH MOUNT HORN ASSEMBLY



The surface horn and the 2905-9901 or 9902 plate provide true flush mounting. The 2975-9173 box accommodates the surface horn (less cover) and may be plastered in the wall. Each box has 1/2" and 3/4" knockouts. The grille is attached to the surface horn and serves as a support and cover, extending 1/8" beyond the wall surface.

MODULAR HORN ACCESSORY COMPATIBILITY

Select desired basic unit and add the following:

MOUNTING STYLE	COLOR	OPTION	SURFACE BOX	PLATE	PROJECTOR	FLUSH WALL BOX	ILLUS.
SURFACE	Red	----	2975-9006	----	----	----	B
	Beige	----	2975-9007	----	----	----	B
	Red	Single Projector	2975-9006	----	2905-9905	----	F
	Red	Double Projector	2975-9006	----	2905-9907	----	G
SEMI-FLUSH	----	----	----	----	----	4" Square*	D
	Red	Single Projector	----	----	2905-9905		D + F
	Red	Double Projector	----	----	2905-9907		D + G
WEATHERPROOF SURFACE	Red	----	2975-9009	----	----	----	C
	Beige	----	2975-9008	----	----	----	C
	Red	Single Projector	2975-9009	----	2905-9905	----	C + F
	Red	Double Projector	2975-9009	----	2905-9907	----	C + G
CONCEALED CONDUIT	Red	----	2975-9006	2975-9909	----	Single Gang or 4" Square*	E
	Beige	----	2975-9007	2905-9910	----		E
	Red	Double Projector	2975-9006	2905-9909	2905-9907		E + G
	Red	Single Projector	2975-9006	2905-9909	2905-9905		E + F
FLUSH	Red	----	----	2905-9901	----	2975-9173	H
	Beige	----	----	2905-9902	----	2975-9173	H

* Supplied Separately

ACCESSORY SPECIFICATIONS

MODEL NUMBER	DESCRIPTION	DIMENSIONS		
		H	W	D
2975-9006 (Red) 2975-9007 (Beige)	4" Interior Type Knockout Box for Surface Mounting	4" (102 mm)	4" (102 mm)	1 1/2" (38 mm)
2975-9008 (Beige) 2975-9009 (Red)	Gasketed, Cast Weatherproof Box, Threaded for 1/2" (13 mm) Conduit	4 9/32" (109 mm)	4 9/32" (109 mm)	2" (51 mm)
2975-9173 (Galv.)	Wall Box for Flush Mounting	4 3/8" (111 mm)	4 3/8" (111 mm)	3 9/16" (90 mm)
2905-9909 (Red) 2905-9910 (Beige) 2905-9901 (Red) 2905-9902 (Beige)	Concealed Conduit Adapter Grille for Flush Mounting	6" (152 mm)	6" (152 mm)	3/16" (4.8 mm)
2905-9905 (Red)	Single Projector	4 1/2" (114 mm)	4 1/2" (114 mm)	5 1/8" (130 mm)
2905-9907 (Red)	Double Projector	3 5/16" (84 mm)	12" (305 mm)	3 5/16" (84 mm)