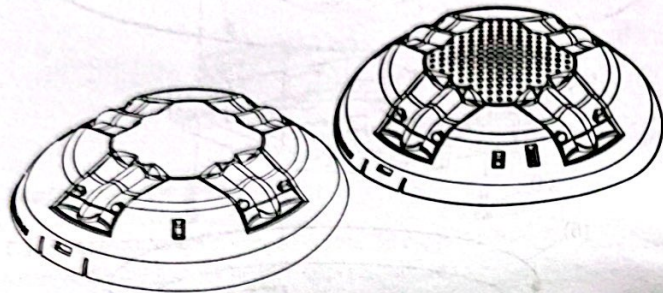




Genesis LED GCSVH and GCVH High-Candela Speaker-Strobe Installation Sheet



Description

Genesis LED GCSVH speaker-strobes and GCVH strobes are ceiling- or wall-mounted fire alarm notification appliances designed for indoor dry applications. See Table 1 and Table 2 below for models.

Table 1: Strobes

Catalog number	Description
GCVHRF	Strobe, ceiling, red, FIRE
GCVHRF-FR	Strobe, ceiling, red, FEU/FIRE
GCVHRF-SP	Strobe, ceiling, red, FUEGO
GCVHWF	Strobe, ceiling, white, FIRE
GCVHWF-FR	Strobe, ceiling, white, FEU/FIRE
GCVHWF-SP	Strobe, ceiling, white, FUEGO
GCVHRN	Strobe, ceiling, red, no marking
GCVHWN	Strobe, ceiling, white, no marking
GCVHWA	Strobe, ceiling, white, ALERT

Table 2: Speaker-strobes

Catalog number	Description
GCSVHRF	Speaker-strobe, ceiling, red, FIRE
GCSVHRF-FR	Speaker-strobe, ceiling, red, FEU/FIRE
GCSVHRF-SP	Speaker-strobe, ceiling, red, FUEGO
GCSVHWF	Speaker-strobe, ceiling, white, FIRE
GCSVHWF-FR	Speaker-strobe, ceiling, white, FEU/FIRE
GCSVHWF-SP	Speaker-strobe, ceiling, white, FUEGO
GCSVHRN	Speaker-strobe, ceiling, red, no marking
GCSVHWN	Speaker-strobe, ceiling, white, no marking
GCSVHWA	Speaker-strobe, ceiling, white, ALERT

Genesis LED GCSVH Series notification appliances feature:

- Field-configurable speaker and strobe outputs. See Figure 2 and Figure 3.
- Enhanced synchronization circuitry to comply with the latest requirements of UL 1638 and CAN/ULC-S526.
- Input wiring test points available from the front of the appliance when the cover is removed.
- Speakers that are approved for low frequency sounder applications when used with compatible tone file and systems.

Note: Synchronized operation requires a separately installed synchronization device. See the control unit or remote booster/auxiliary power supply compatibility list for compatible synchronization devices.

Configuration

Caution: Equipment damage hazard. Using excessive force when removing the appliance cover may damage the cover and prevent it from latching in place.

To configure the notification appliance:

1. Remove the appliance cover. See Figure 1.
Insert a small, flat-bladed screwdriver into the slot at the bottom of the appliance.
Gently pull up on the screwdriver to pry the bottom of the appliance cover down and away from the appliance.
Lift the bottom of the cover out and over the top of the appliance.
2. Select the speaker's voltage and power setting. See Figure 2.
Set the voltage for 25 or 70 VRMS. Set the power for 1/4, 1/2, 1, or 2 watts.
3. Select the strobe's output for 135, 150, 177, or 185 candelas. See Figure 3.
4. Replace the appliance cover. Press until it snaps firmly into place.

Figure 1: Removing and replacing the cover

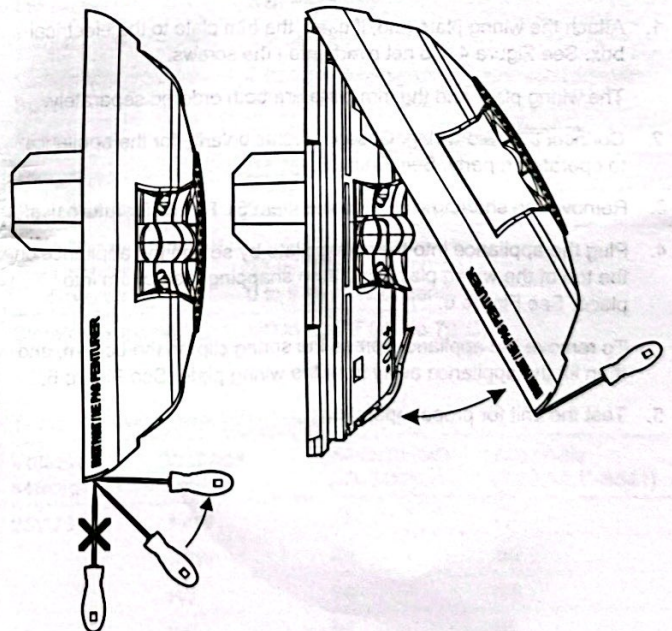


Figure 2: Speaker switch settings

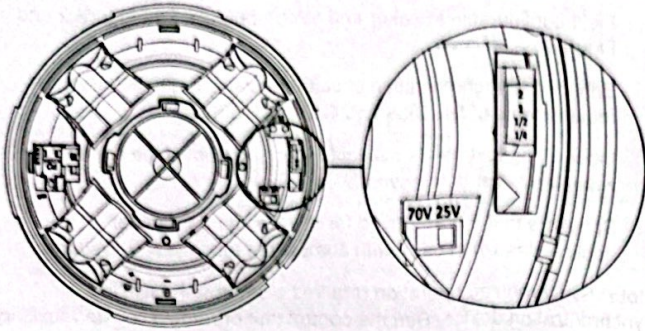
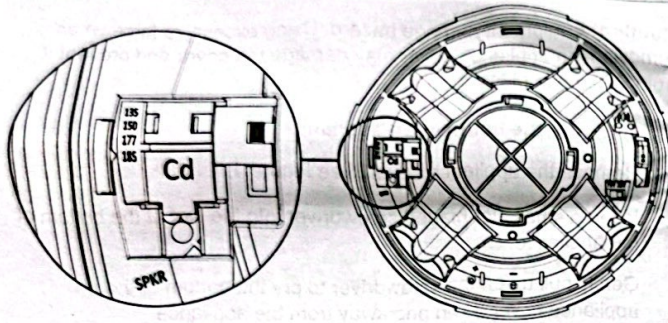


Figure 3: Strobe switch settings



Installation

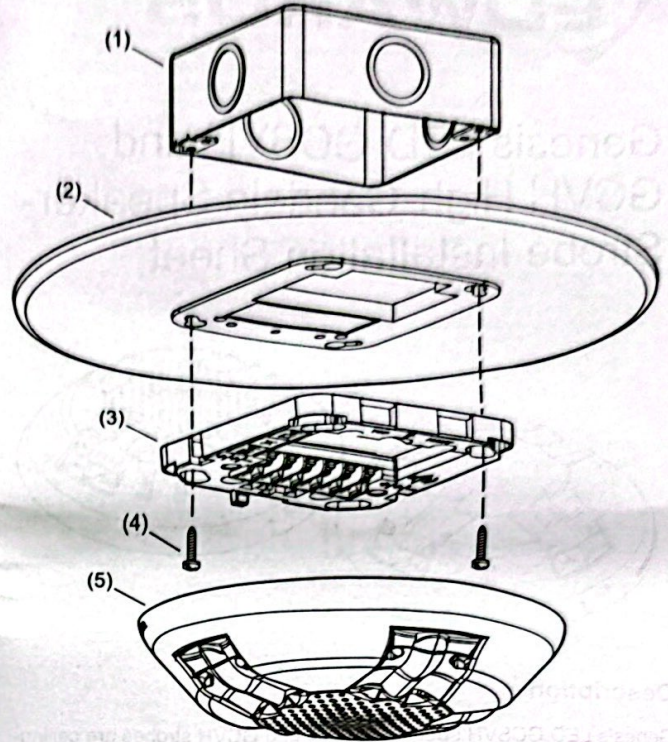
Install and wire this device in accordance with applicable national and local codes, ordinances, and regulations.

Caution: Electrical supervision requires that you break the wire run at each terminal. Do not loop the notification circuit field wires around the terminals.

To install the appliance:

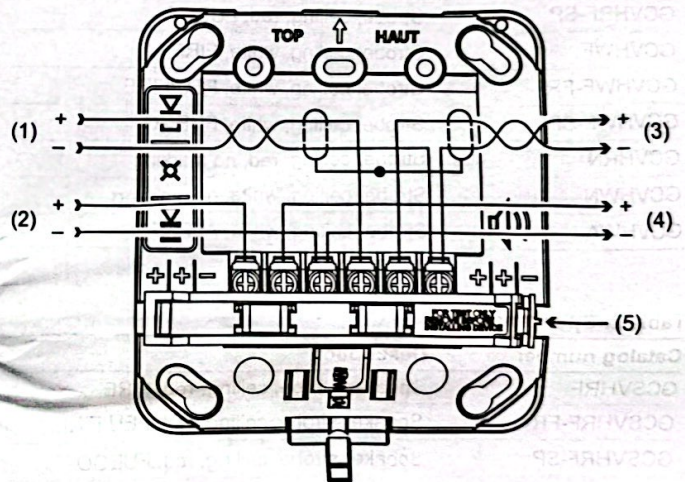
1. Attach the wiring plate and, if used, the trim plate to the electrical box. See Figure 4. Do not overtighten the screws.
The wiring plate and the trim plate are both ordered separately.
 2. Connect the field wiring. Observe signal polarity for the appliance to operate properly. See Figure 5.
 3. Remove the shorting clip (Figure 5, item 5). Retain for future use.
 4. Plug the appliance into the wiring plate by setting the appliance on the top of the wiring plate, and then snapping the bottom into place. See Figure 6.
- To remove the appliance, press the spring clip on the bottom, and then lift the appliance away from the wiring plate. See Figure 6.
5. Test the unit for proper operation.

Figure 4: Mounting diagram



- (1) Electrical box
- (2) Trim plate (optional)
- (3) Wiring plate (required, ordered separately)
- (4) Machine screw (2X, supplied with wiring plate)
- (5) Notification appliance

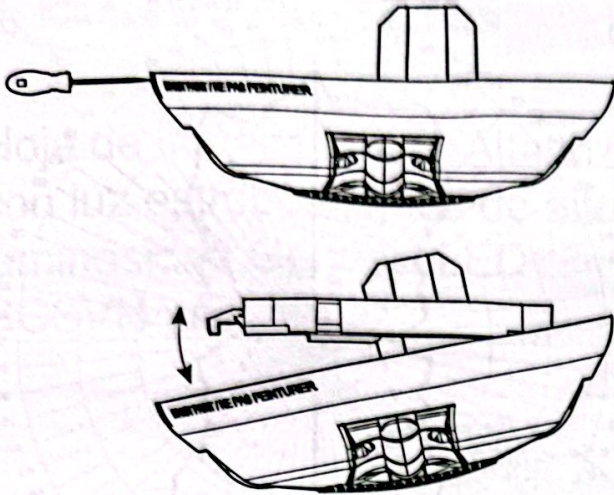
Figure 5: Wiring



- (1) Speaker circuit IN (shields, if used, must be continuous and free from earth ground except at the signal source)
- (2) Strobe circuit IN (polarity shown in the active condition)
- (3) Speaker circuit OUT
- (4) Strobe circuit OUT
- (5) Shorting clip

Note: Do not remove the shorting clip (Figure 5, item 5) until you are ready to install the notification appliance.

Figure 6: Removing and replacing the appliance



Maintenance and testing

Caution: Equipment damage hazard. To maintain the required agency listings, do not change factory-applied finishes.

This unit is not serviceable or repairable. If the unit fails to operate, contact the supplier for a replacement.

Perform a visual and operational inspection in accordance with applicable codes and standards or as directed by the local authority having jurisdiction.

Input wiring test points are available on the front of the appliance when the cover is removed. The test points allow easy measurement of wiring voltages without the need to remove the mounted appliance. See Figure 7 and Figure 8.

Figure 7: Speaker test points

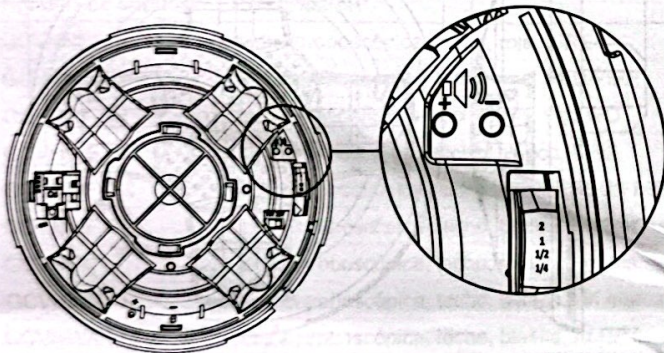
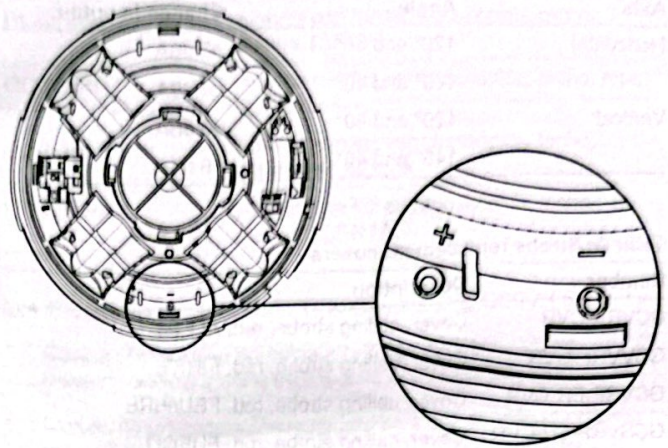


Figure 8: Strobe test points



Note: Marking indicates signal polarity when the circuit is active.

Specifications

Operating voltage	16 to 33 VDC, 16 to 33 VFWR
Strobe	25 VRMS, 70 VRMS (field configurable)
Speaker	
Operating current	53 mA
16 to 33 VDC	68 mA
16 to 33 VFWR	
Supervisory voltage	30 V max.
Sound output	See Table 3 and Table 4
Speaker response	400 to 4,000 Hz
Strobe flash rate	1 fps (flash per second) approx.
Light output	135, 150, 177, or 185 cd
Light distribution	See Figure 9
Synchronization	20 Ω max. between any two devices.
	To determine allowed wire resistance, refer to these specifications and the specifications for the synchronized signal source.
Dimensions	See Figure 10
Center offset	0 in. (0 cm)
Compatible electrical boxes	2-gang, 4-inch square, 4-inch octagon with GOCT adapter plate
Wiring plate	GRSW (catalog number: GRSW-10)
Trim plates	GCTR, GCTW
Replacement covers	See Table 5 and Table 6
Operating environment	
Temperature	32 to 122°F (0 to 50°C)
Relative humidity	0 to 93% noncondensing
Storage temperature	-40 to 158°F (-40 to 70°C)

Table 3: Sound level (dBA) at 3.05 m (10 ft.)

Voltage setting	Wattage setting	Reverberant (UL 1480)	Anechoic (CAN/ULC-S541)
25V / 70V	1/4W	78	77
	1/2W	81	80
	1W	84	83
	2W	87	85

Table 4: Sound pattern (ULC)

Axis	Angle	Change in output
Horizontal	120° and 60°	-3 dBA
	140° and 40°	-6 dBA
Vertical	120° and 60°	-3 dBA
	145° and 40°	-6 dBA

Table 5: Strobe replacement covers

Number	Description
GCVRA-CVR	Cover, ceiling strobe, red, ALERT
GCVRF-CVR	Cover, ceiling strobe, red, FIRE
GCVRF-FR-CVR	Cover, ceiling strobe, red, FEU/FIRE
GCSVRF-SP-CVR	Cover, ceiling strobe, red, FUEGO
GCVRN-CVR	Cover, ceiling strobe, red, no marking
GCVWA-CVR	Cover, ceiling strobe, white, ALERT
GCVWF-CVR	Cover, ceiling strobe, white, FIRE
GCVWF-FR-CVR	Cover, ceiling strobe, white, FEU/FIRE
GCVWF-SP-CVR	Cover, ceiling strobe, white, FUEGO
GCVWN-CVR	Cover, ceiling strobe, white, no marking

Table 6: Speaker-strobe replacement covers

Number	Description
GCSVRA-CVR	Cover, ceiling speaker-strobe, red, ALERT
GCSVRF-CVR	Cover, ceiling speaker-strobe, red, FIRE
GCSVRF-FR-CVR	Cover, ceiling speaker-strobe, red, FEU/FIRE
GCSVRF-SP-CVR	Cover, ceiling speaker-strobe, red, FUEGO
GCSVRN-CVR	Cover, ceiling speaker-strobe, red, no marking
GCSVWA-CVR	Cover, ceiling speaker-strobe, white, ALERT
GCSVWF-CVR	Cover, ceiling speaker-strobe, white, FIRE
GCSVWF-FR-CVR	Cover, ceiling speaker-strobe, white, FEU/FIRE
GCSVWF-SP-CVR	Cover, ceiling speaker-strobe, white, FUEGO
GCSVWN-CVR	Cover, ceiling speaker-strobe, white, no marking

Regulatory information

UL rating	Regulated 24 DC and 24 FWR
FCC compliance	This device complies with part 15 of the FCC Rules. Operation is subject to the following two conditions: (1) This device may not cause harmful interference, and (2) this device must accept any interference received, including interference that may cause undesired operation.
Industry Canada compliance	This Class A digital apparatus complies with Canadian ICES-003.
Environmental class	Indoor, dry

Figure 9: Light distribution

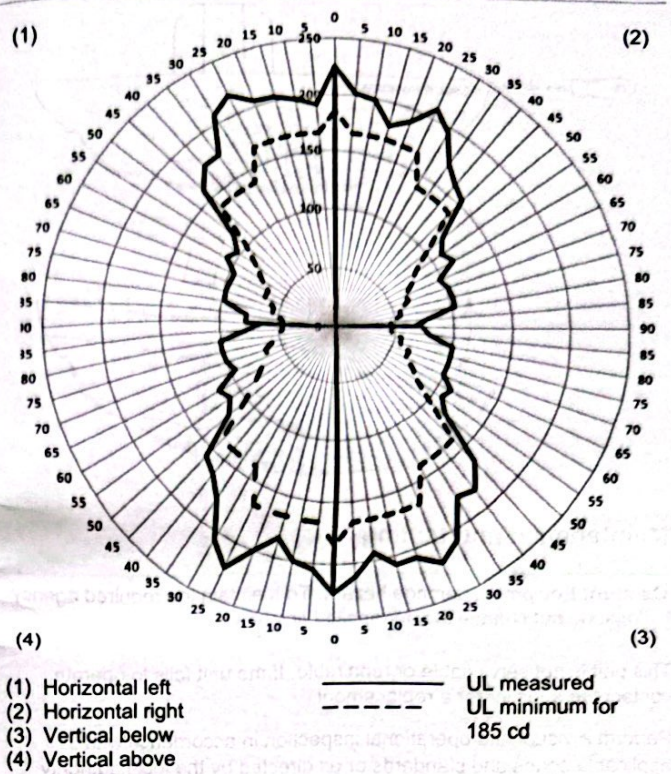
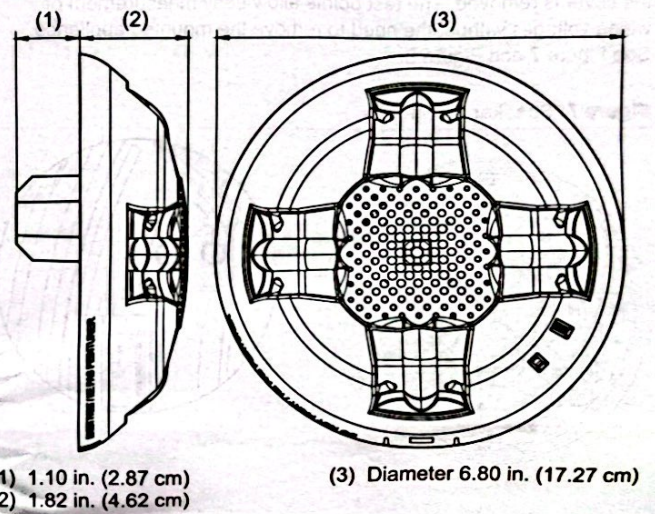


Figure 10: Dimensions



Contact information

For contact information, see www.edwardsfiresafety.com.